

A

B

C

D

E

F

G

H

1

1

2

2

3

3

4

4

5

5

6

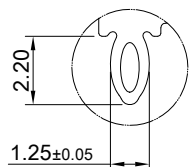
6

7

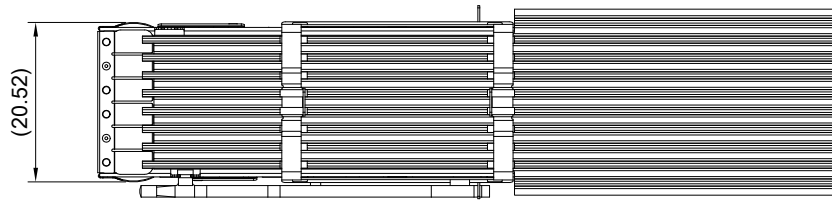
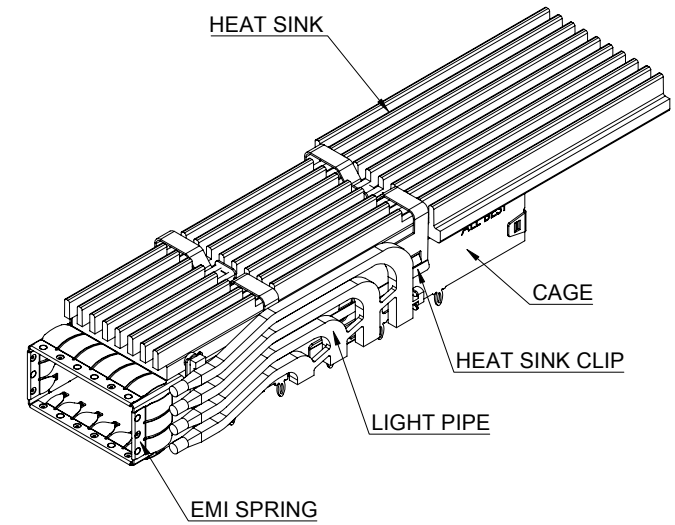
7

8

8



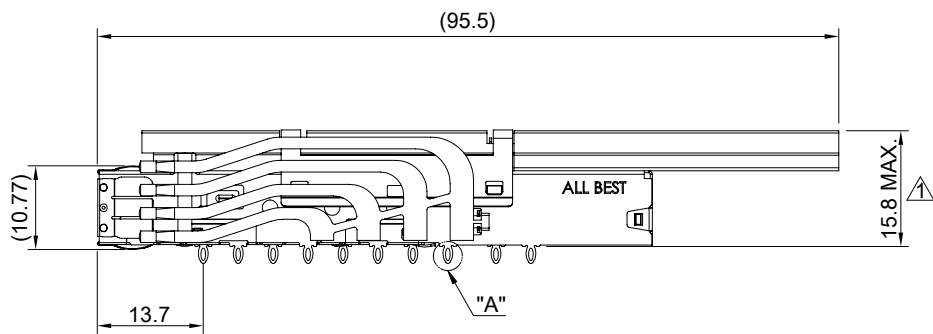
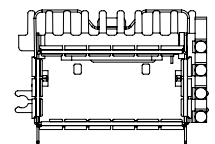
DETAIL A
SCALE 4:1



MATERIAL
 CAGE: NICKEL SILVER
 EMI SPRING: STAINLESS STEEL
 HEAT SINK: ALUMINUM
 HEAT SINK CLIP: STAINLESS STEEL
 LIGHT PIPE: PC

FINISH
 HEAT SINK: ANODE PROCESS

NOTE
 ▲ DIMENSION APPLIES WITH MODULE INSERTED IN CAGE



THIS PRINT IS
PRELIMINARY
 UNQUALIFIED PRODUCT
 CONTACT PRODUCT ENGINEERING
 BEFORE USING THIS PRINT



TITLE: QSFP-DD 800 1X1 Cage Assembly w/ Heat Sink & Light Pipe			
DWG#: R-OR-DQD1-4CME6-MKR4		SHEET: 1/4	REV. REF.
UNIT: mm	SCALE: A4 1:1	CHECKED:	
TOLERANCE: Angle: ± 1° X.± 0.25 .X± 0.20 .XX± 0.15		MATERIAL: RoHS Compliant	APPROVED:
THIRD ANGLE PROJECTION		DRAWN: Jason Zhao	DATE: 03/22/2024

A

B

C

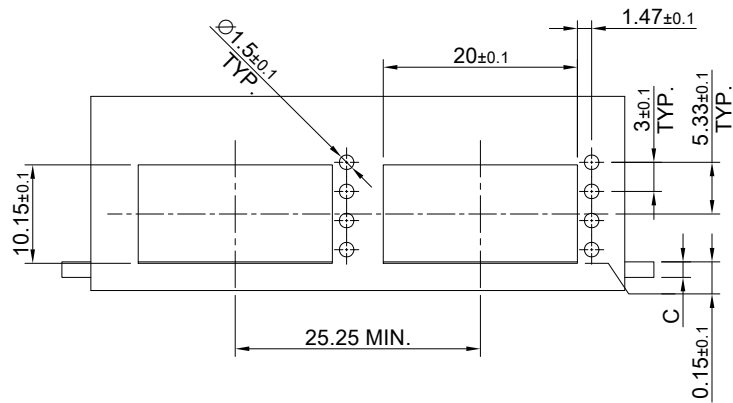
D

E

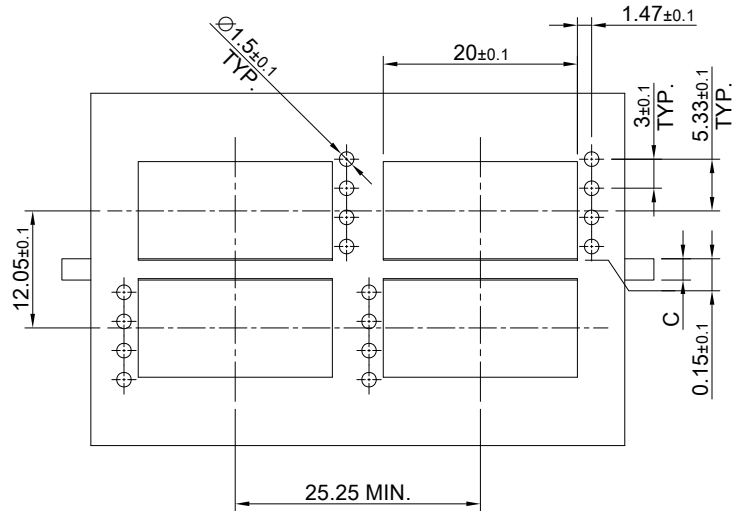
F

G

H



SINGLE-SIDE CONFIGURATION



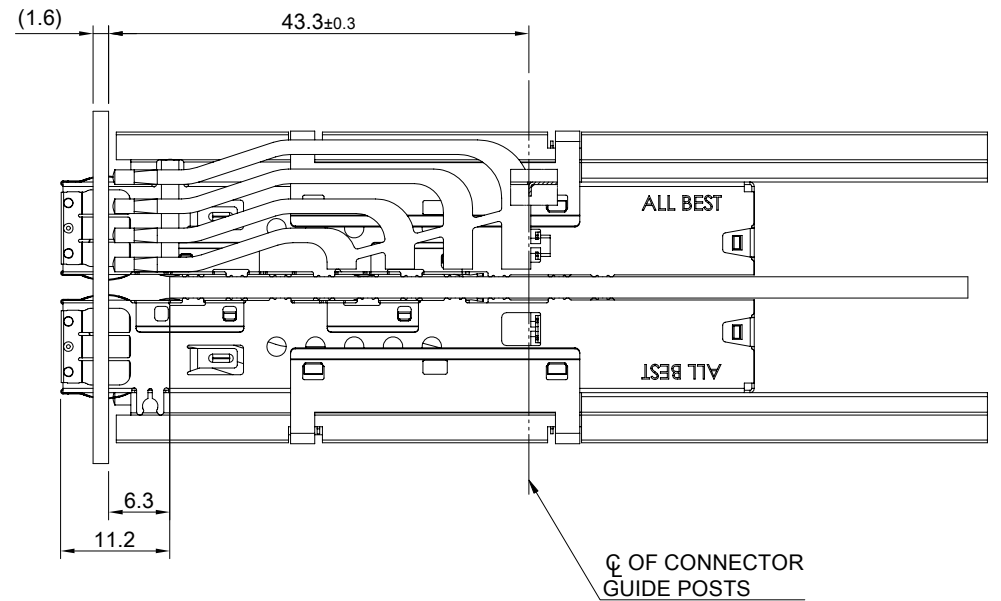
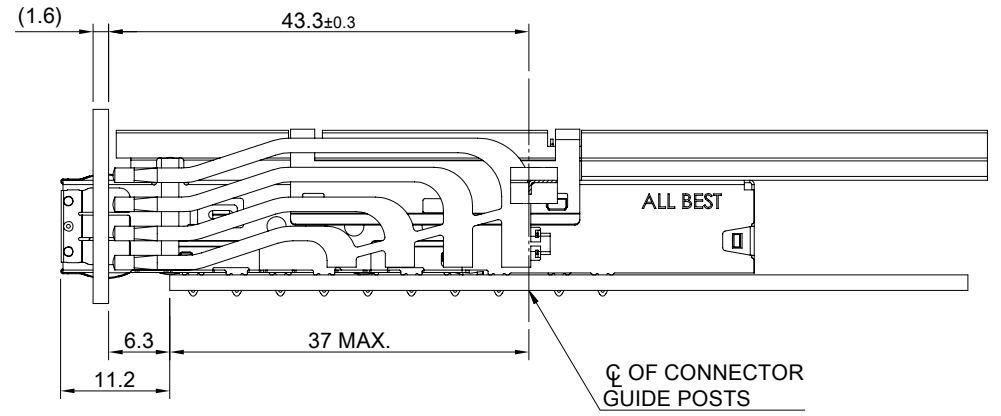
BELLY TO BELLY CONFIGURATION

C = THICKNESS OF PC BOARD
 SINGLE-SIDE = 1.6MM (MIN.)
 BELLY TO BELLY = 2.2MM (MIN.)

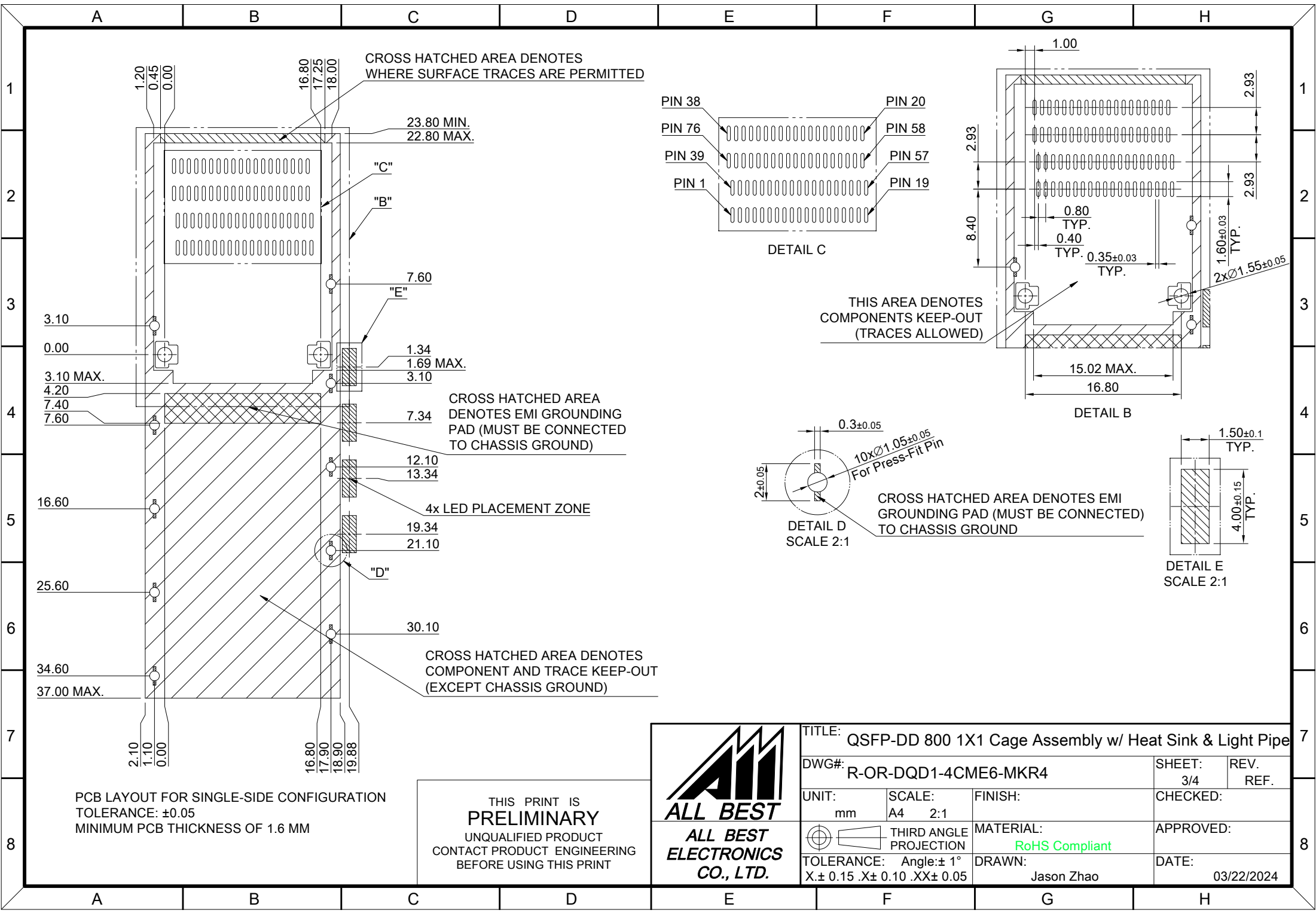
THIS PRINT IS
PRELIMINARY
 UNQUALIFIED PRODUCT
 CONTACT PRODUCT ENGINEERING
 BEFORE USING THIS PRINT



ALL BEST
ELECTRONICS
CO., LTD.



TITLE: QSFP-DD 800 1X1 Cage Assembly w/ Heat Sink & Light Pipe			
DWG#: R-OR-DQD1-4CME6-MKR4		SHEET: 2/4	REV. REF.
UNIT: mm	SCALE: A4 5:4	FINISH:	CHECKED:
THIRD ANGLE PROJECTION TOLERANCE: Angle: ± 1° X: ± 0.15 .X: ± 0.10 .XX: ± 0.05		MATERIAL: RoHS Compliant	APPROVED:
DRAWN: Jason Zhao		DATE: 03/22/2024	

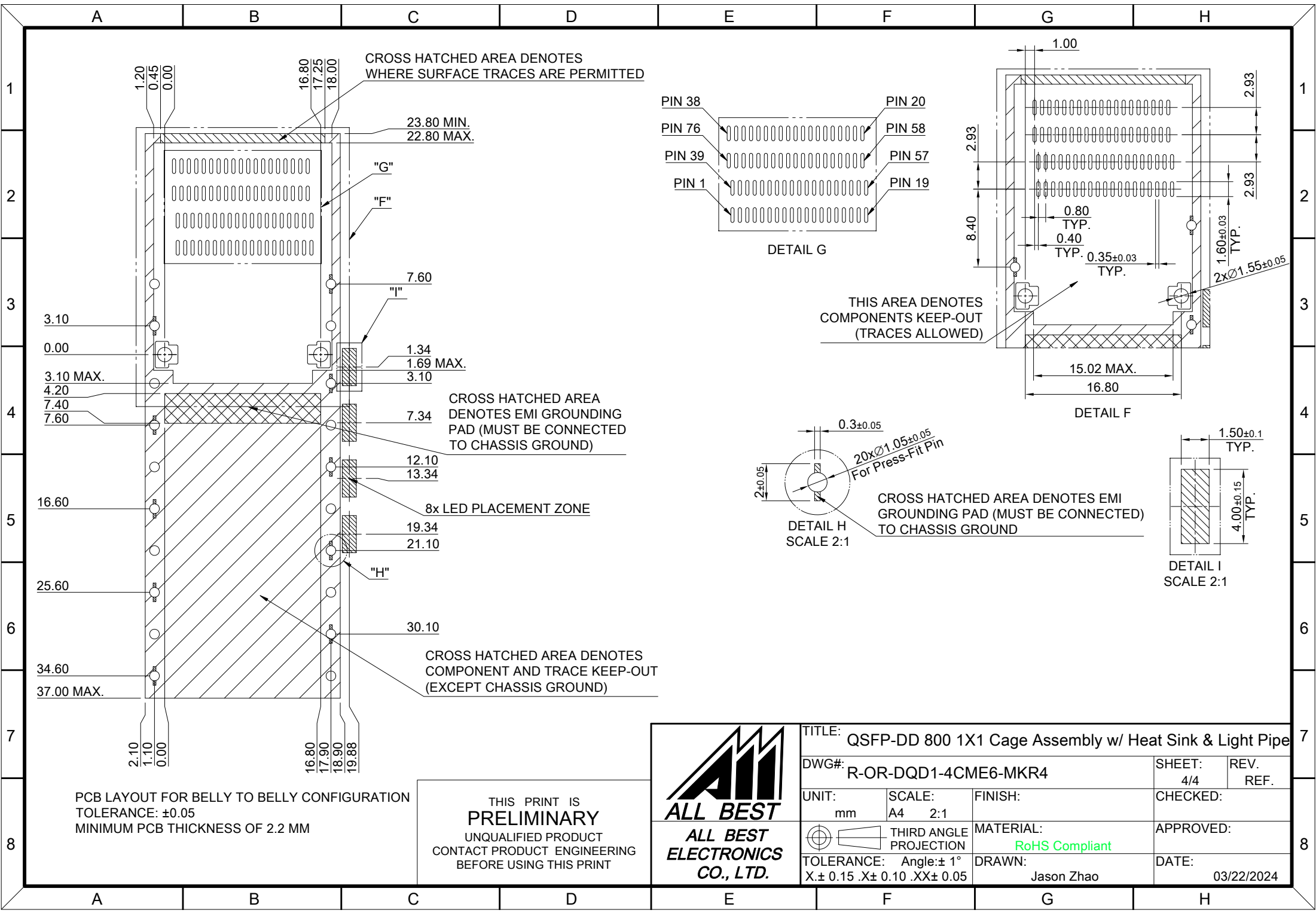


PCB LAYOUT FOR SINGLE-SIDE CONFIGURATION
 TOLERANCE: ±0.05
 MINIMUM PCB THICKNESS OF 1.6 MM

THIS PRINT IS
PRELIMINARY
 UNQUALIFIED PRODUCT
 CONTACT PRODUCT ENGINEERING
 BEFORE USING THIS PRINT



TITLE: QSFP-DD 800 1X1 Cage Assembly w/ Heat Sink & Light Pipe			
DWG#: R-OR-DQD1-4CME6-MKR4		SHEET: 3/4	REV. REF.
UNIT: mm	SCALE: A4 2:1	FINISH:	
THIRD ANGLE PROJECTION		MATERIAL: RoHS Compliant	
TOLERANCE: Angle: ±1° X: ±0.15 .X: ±0.10 .XX: ±0.05		DRAWN: Jason Zhao	DATE: 03/22/2024



PCB LAYOUT FOR BELLY TO BELLY CONFIGURATION
 TOLERANCE: ± 0.05
 MINIMUM PCB THICKNESS OF 2.2 MM

THIS PRINT IS
PRELIMINARY
 UNQUALIFIED PRODUCT
 CONTACT PRODUCT ENGINEERING
 BEFORE USING THIS PRINT

		TITLE: QSFP-DD 800 1X1 Cage Assembly w/ Heat Sink & Light Pipe	
		DWG#: R-OR-DQD1-4CME6-MKR4	SHEET: 4/4
UNIT: mm	SCALE: A4 2:1	FINISH:	CHECKED:
THIRD ANGLE PROJECTION		MATERIAL: RoHS Compliant	APPROVED:
TOLERANCE: Angle: $\pm 1^\circ$ X: ± 0.15 .X: ± 0.10 .XX: ± 0.05		DRAWN: Jason Zhao	DATE: 03/22/2024