

SECTION Z-Z

**MATERIALS**  
 CONTACTS: COPPER ALLOY  
 HOUSING: LCP THERMOPLASTIC 94V-0

**FINISHES**  
 CONTACTS: 15 $\mu$ m MIN. GOLD ON MATING END;  
 MATTE TIN ON TERMINATION END;  
 ALL UNDERPLATED NICKEL

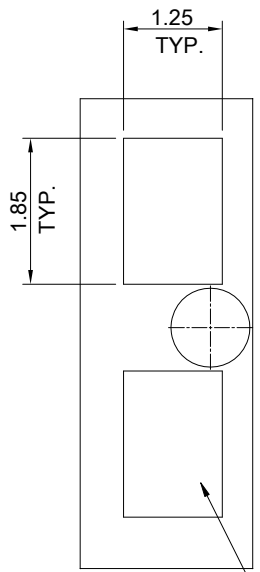
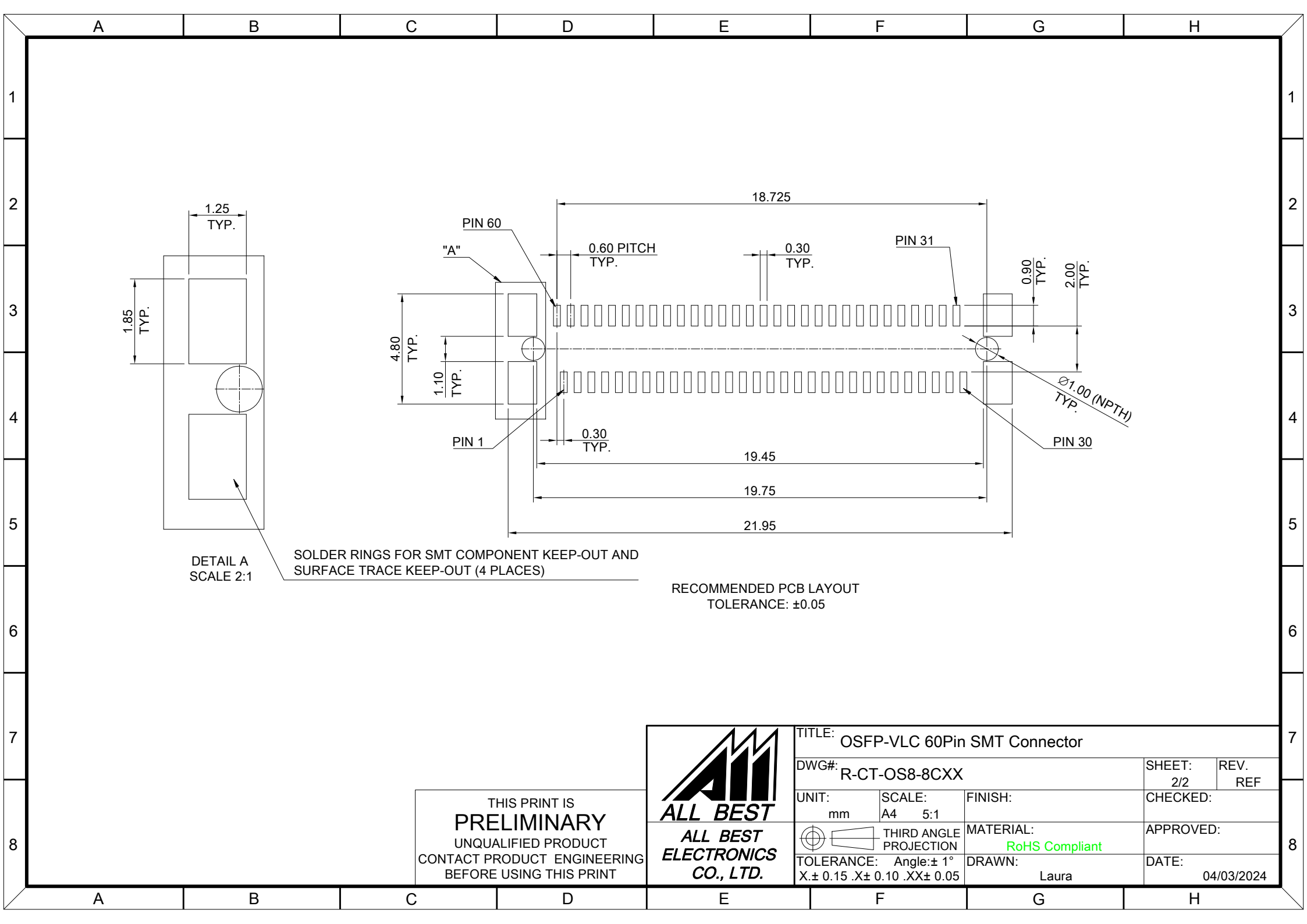
**ELECTRICAL CHARACTERISTICS**  
 CONTACT CURRENT RATING: 0.5 AMPERE  
 DIELECTRIC WITHSTANDING VOLTAGE: 300 VAC  
 VOLTAGE RATING: 30 VDC  
 CONTACT RESISTANCE: 35 m $\Omega$  MAX.

**ENVIRONMENT**  
 OPERATION TEMPERATURE: -55°C TO +85°C  
 SMT TEMPERATURE: 260°C

THIS PRINT IS  
**PRELIMINARY**  
 UNQUALIFIED PRODUCT  
 CONTACT PRODUCT ENGINEERING  
 BEFORE USING THIS PRINT



TITLE: OSFP-VLC 60Pin SMT Connector				
DWG#: R-CT-OS8-8CXX			SHEET: 1/2	REV. REF
UNIT: mm	SCALE: A4 4:1	FINISH:		CHECKED:
TOLERANCE: Angle: $\pm 1^\circ$ X: $\pm 0.25$ .X: $\pm 0.20$ .XX: $\pm 0.15$		MATERIAL: RoHS Compliant		APPROVED:
DRAWN: Laura			DATE: 04/03/2024	



RECOMMENDED PCB LAYOUT  
TOLERANCE: ±0.05

THIS PRINT IS  
**PRELIMINARY**  
UNQUALIFIED PRODUCT  
CONTACT PRODUCT ENGINEERING  
BEFORE USING THIS PRINT



TITLE: OSFP-VLC 60Pin SMT Connector			SHEET: 2/2	REV. REF
DWG#: R-CT-OS8-8CXX			CHECKED:	APPROVED:
UNIT: mm	SCALE: A4 5:1	FINISH:	DATE: 04/03/2024	
TOLERANCE: Angle: ± 1° X. ± 0.15 .X ± 0.10 .XX ± 0.05		MATERIAL: RoHS Compliant	DRAWN: Laura	