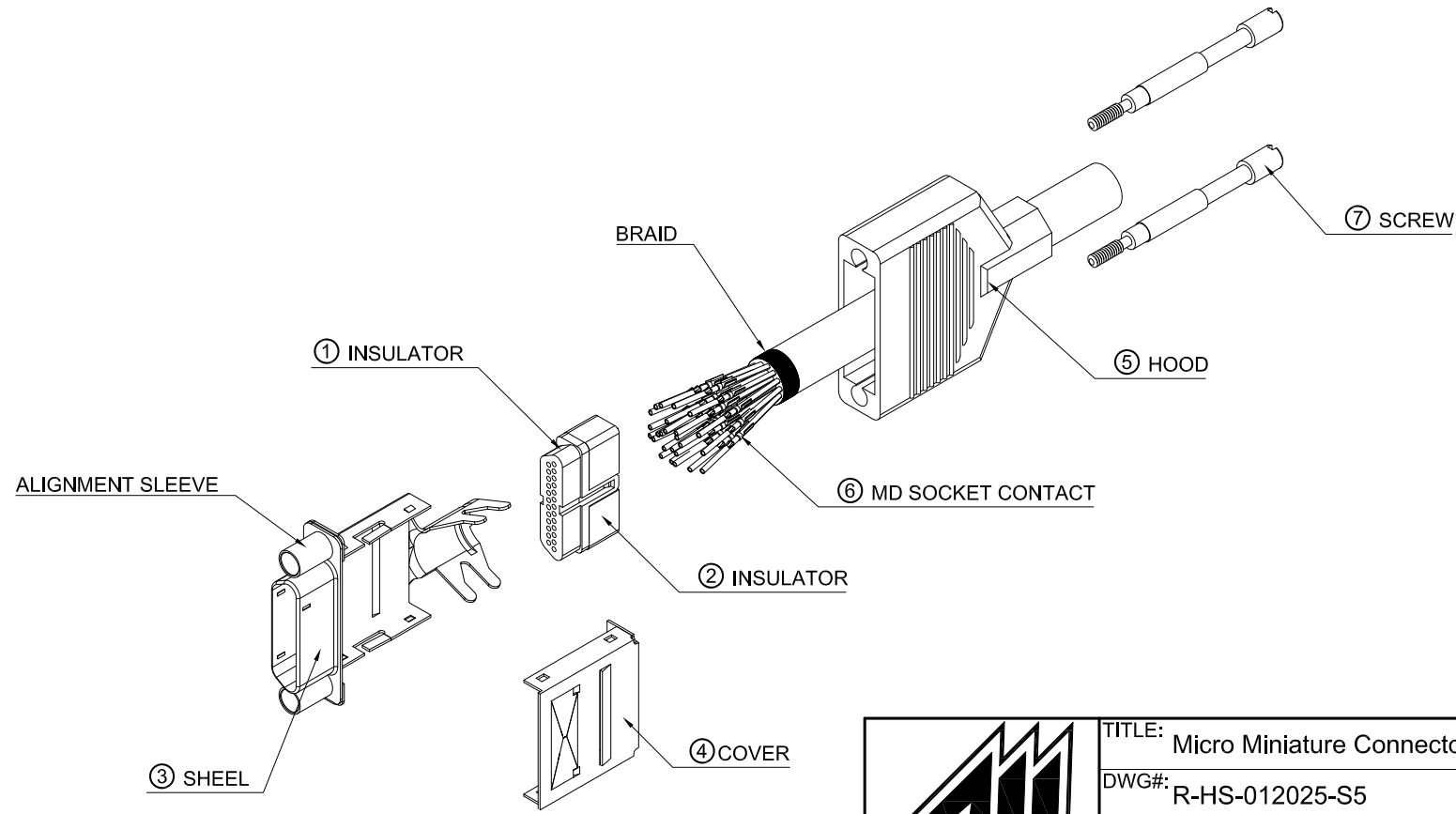

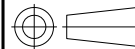


ITEM	DESCRIPTION	MATERIAL	FINISH	Q'TY
①	MICRO-D FEMALE 25P UPPER INSULATOR ALL BEST P/N: R-HS-012025-S1-1	THERMOPLASTIC	-----	1
②	MICRO-D FEMALE 25P UPPER INSULATOR ALL BEST P/N: R-HS-012025-S1-2	THERMOPLASTIC	-----	1
③	MICRO-D FEMALE 25P LOWER SHIELD ALL BEST P/N: R-HS-012025-S1-7	NICKEL COPPER	-----	1
④	MICRO-D FEMALE 25P UPPER SHIELD ALL BEST P/N: R-HS-012025-S1-8	NICKEL COPPER	-----	1
⑤	MICRO-D 25P FEMALE BACKSHELL ALL BEST P/N: R-HS-012025-S1-6	THERMOPLASTIC	-----	1
⑥	MICRO-D FEMALE CONTACT ALL BEST P/N: R-TM-01202S-13S CONTACTS ARE NOT INCLUDED IN THE SET; NEED TO ORDER SEPARATELY	PHOSPHOR BRONZE	GOLD	25
⑦	JACKSCREWS ALL BEST P/N: R-SF-012009-01	STEEL	NICKEL	2



 <b>ALL BEST</b> ALL BEST ELECTRONICS CO., LTD.	TITLE: Micro Miniature Connectors-Crimp Type		
	DWG#: R-HS-012025-S5		SHEET: 1/1    REV. A
	UNIT: mm	SCALE: A4 1:1	CHECKED: Gary Kang
	 THIRD ANGLE PROJECTION TOLERANCE: Angle: ± 1° X: ± 0.25 .X: ± 0.20 .XX: ± 0.15		MATERIAL: RoHS Compliant DRAWN: Ting DATE: 09/12/2013