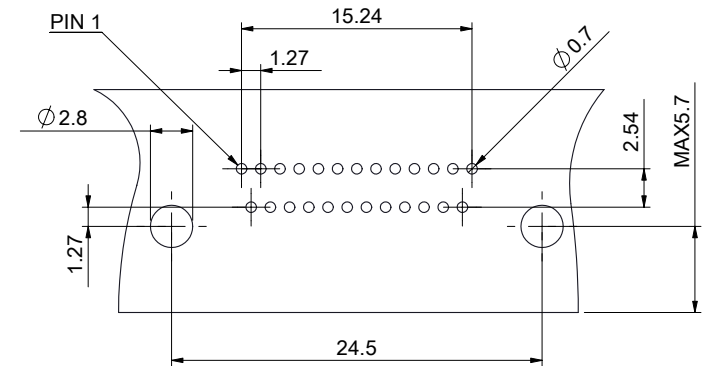
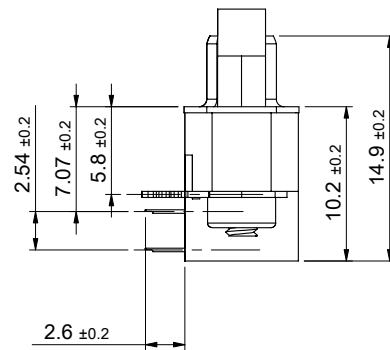
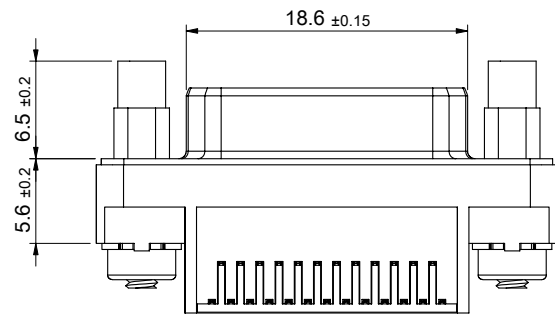


**ELECTRICAL CHARACTERISTICS**  
 CONTACT CURRENT RATING: 1 AMPERE  
 DIELECTRIC WITHSTANDING VOLTAGE: 500 VAC  
 INSULATION RESISTANCE: 1000 MEGOHMS MIN.  
 CONTACT RESISTANCE: 45 MILLIOHMS MAX.

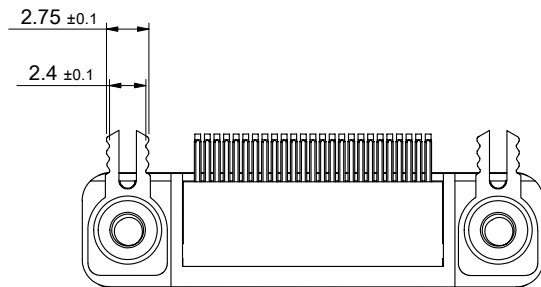
**MATERIALS**  
 CONTACTS: COPPER ALLOY  
 INSULATOR: THERMOPLASTIC 94V-0  
 SHELL: COLD ROLLER STEEL

**FINISHES**  
 CONTACT: 15 μ" MIN. GOLD ON MATING END;  
 TIN ON TERMINATION END;  
 ALL UNDERPLATED NICKEL  
 SHELL: BRIGHT TIN OVER COPPER

**ENVIRONMENT**  
 OPERATION TEMPERATURE: -55°C TO +85°C



RECOMMENDED P.C. BOARD LAYOUT  
 (25 POSITION ONLY) TOLERANCE: ±0.05  
 X. ±0.15 .X ±0.1 .XX ±0.05



	TITLE : Micro-D Miniature 25P Right Angle		
	DWG# : R-HI-012025-2L-P-S		SHEET: 1 / 1
	UNIT : mm	SCALE : 2:1	REV. E
	FINISH :		CHECKED: Gary Yang
THIRD ANGLE PROJECTION		MATERIAL : RoHS Compliant	APPROVED: George Yang
TOLERANCE : Angle: ±1° X. ±0.25 .X ±0.20 .XX ±0.15		DRAWN: Sheng	DATE: 01/19/2012