

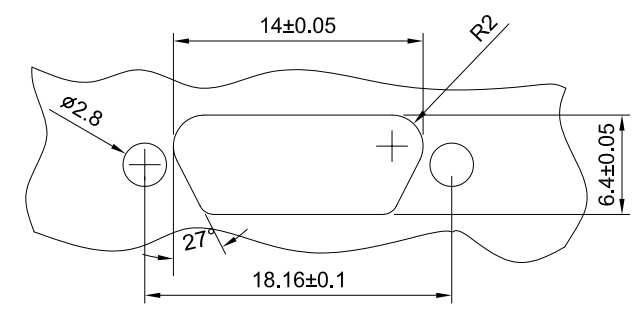
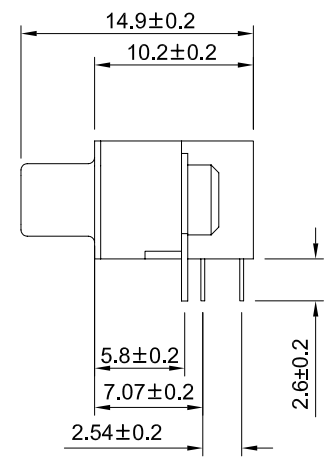
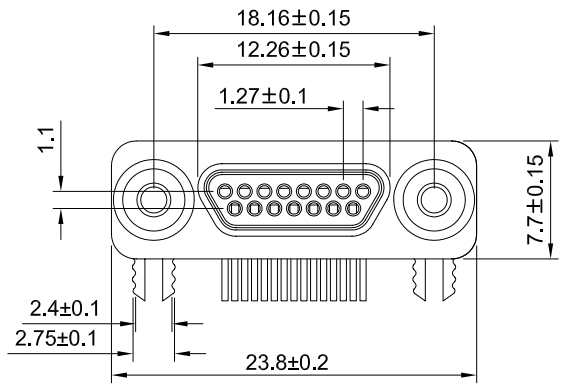
**ELECTRICAL CHARACTERISTICS**  
 CONTACT CURRENT RATING: 1 AMPERE  
 DIELECTRIC WITHSTANDING VOLTAGE: 500 VAC  
 INSULATION RESISTANCE: 1000 MEGOHMS MIN.  
 CONTACT RESISTANCE: 45 MILLIOHMS MAX.

**MATERIALS**  
 CONTACTS: COPPER ALLOY  
 INSULATOR: THERMOPLASTIC 94V-0  
 SHELL: COLD ROLLER STEEL

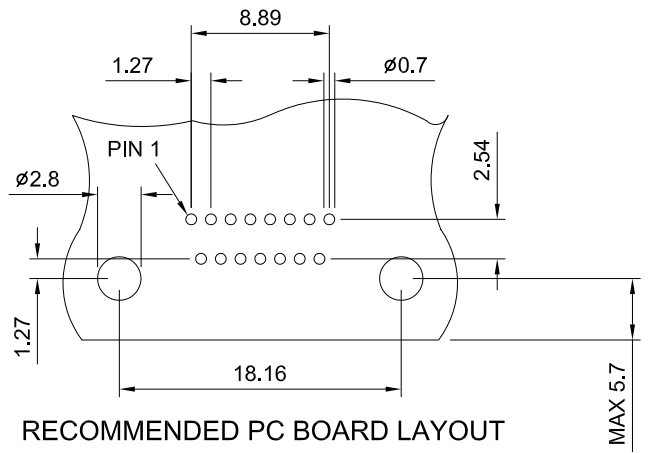
**FINISHES**  
 CONTACT: 15 μ" MIN. GOLD ON MATING END;  
 TIN ON TERMINATION END;  
 ALL UNDERPLATED NICKEL

SHELL: BRIGHT TIN OVER COPPER

**ENVIRONMENT**  
 OPERATION TEMPERATURE: -55°C TO + 85°C



BULKHEAD CUTOUTS FOR SBUS  
 TOLERANCE: ±0.05



RECOMMENDED PC BOARD LAYOUT  
 (15 POSITION ONLY) TOLERANCE: ±0.05



|  |                          |                              |        |
|--|--------------------------|------------------------------|--------|
| TITLE: Micro Miniature 15P Right Angle |                          |                              |        |
| DWG#: R-HI-012015-2L-P                 |                          | SHEET: 1 / 1                 | REV. E |
| UNIT: mm                               | FINISH:                  | CHECKED: <i>Haven Yang</i>   |        |
| SCALE: 2 : 1                           | MATERIAL: RoHS Compliant | APPROVED: <i>George Yang</i> |        |
| TOLERANCE: X,±0.25 ,X±0.2 ,XX±0.15     | DRAWN: Marco             | DATE: 09/15/2009             |        |