

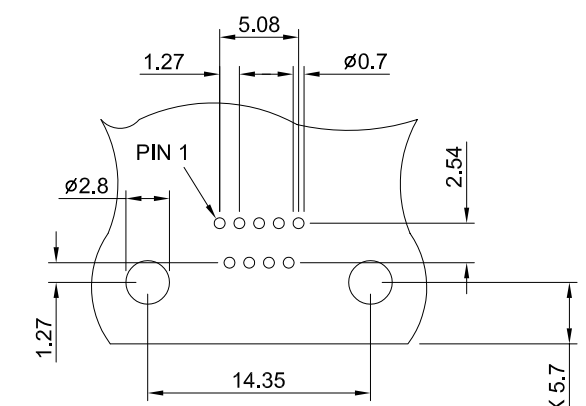
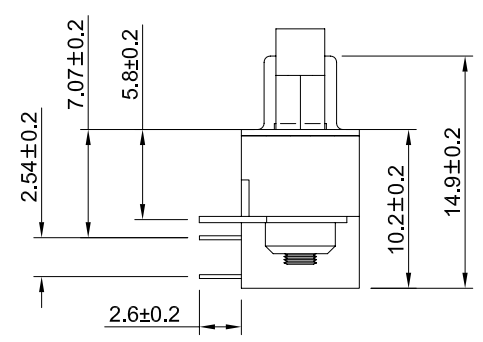
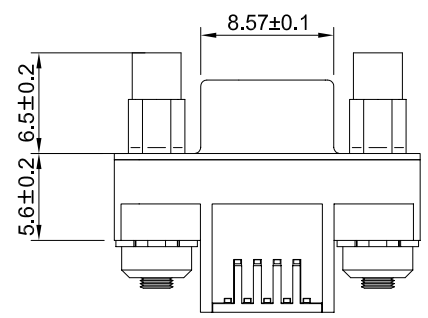
ELECTRICAL CHARACTERISTICS
 CONTACT CURRENT RATING: 1 AMPERE
 DIELECTRIC WITHSTANDING VOLTAGE: 500 VAC
 INSULATION RESISTANCE: 1000 MEGOHMS MIN.
 CONTACT RESISTANCE: 45 MILLIOHMS MAX.

MATERIALS
 CONTACTS: COPPER ALLOY
 INSULATOR: THERMOPLASTIC 94V-0
 SHELL: COLD ROLLER STEEL

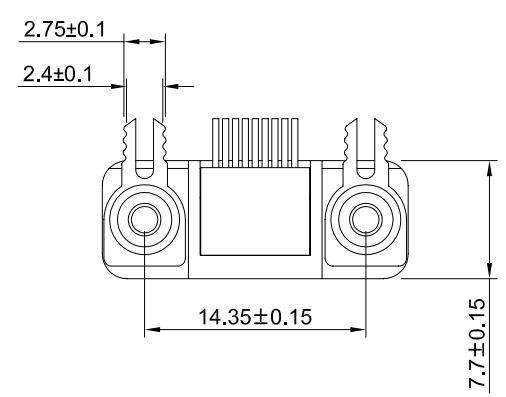
FINISHES
 CONTACT: 15 μ" MIN. GOLD ON MATING END;
 TIN ON TERMINATION END;
 ALL UNDERPLATED NICKEL

SHELL: BRIGHT TIN OVER COPPER

ENVIRONMENT
 OPERATION TEMPERATURE: -55°C TO + 85°C



RECOMMENDED PC BOARD LAYOUT
 (9 POSITION ONLY) TOLERANCE: ±0.05



 ALL BEST ALL BEST ELECTRONICS CO., LTD.	TITLE: Micro Miniature Connectors-Right Angle Type		SHEET: 1 / 1		REV. D
	DWG#: R-HI-012009-2L-P-S		CHECKED: <i>Haven Yang</i>		APPROVED: <i>George Yang</i>
	UNIT: mm	FINISH: RoHS Compliant		DATE: 02/13/2007	
	SCALE: 2:1	DRAWN: Mandy			
	TOLERANCE: X.±0.25 .X±0.2 .XX±0.15				