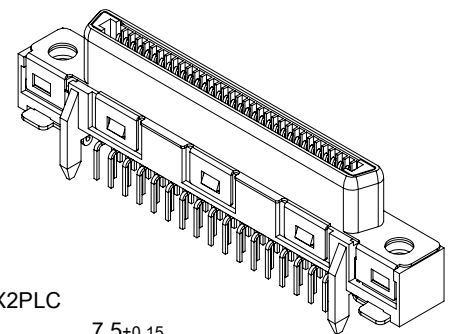
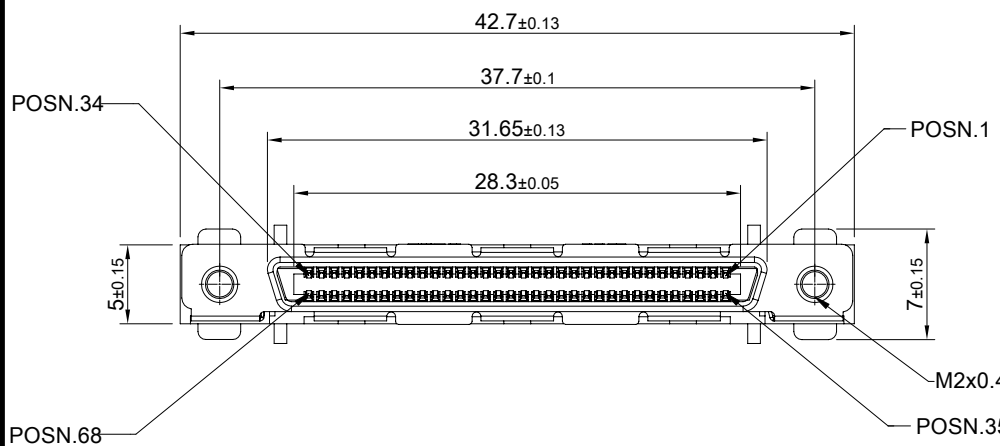


A B C D E F G H

1  
2  
3  
4  
5  
6  
7  
8

1  
2  
3  
4  
5  
6  
7  
8

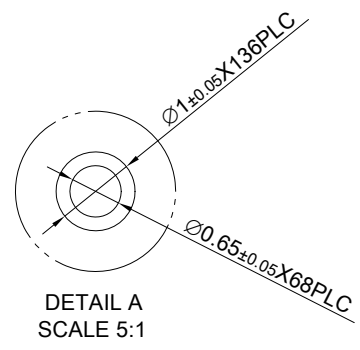
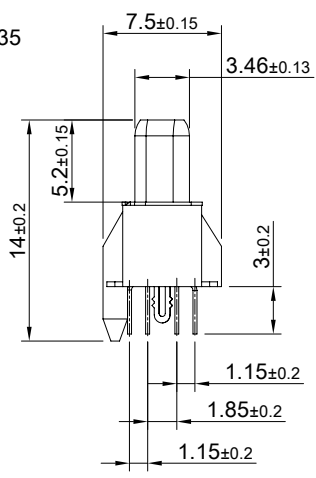
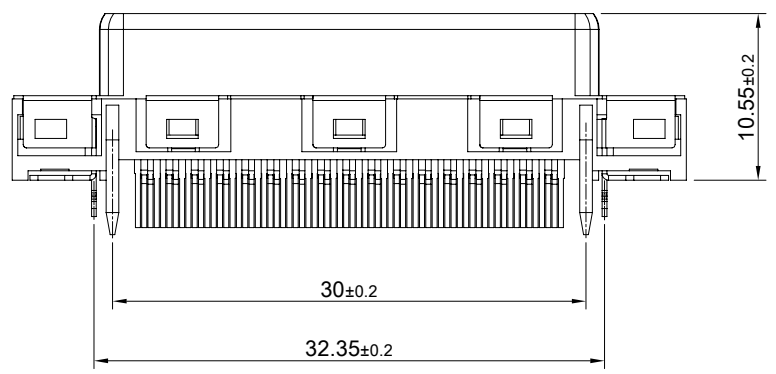


**ELECTRICAL CHARACTERISTICS**  
 CONTACT CURRENT RATING: 0.3 AMPERE  
 VOLTAGE RATING: 30 VAC (R.M.S)  
 DIELECTRIC WITHSTANDING VOLTAGE: 250 VAC  
 INSULATION RESISTANCE: 500 MΩ MIN.  
 CONTACT RESISTANCE: 60 mΩ MAX.

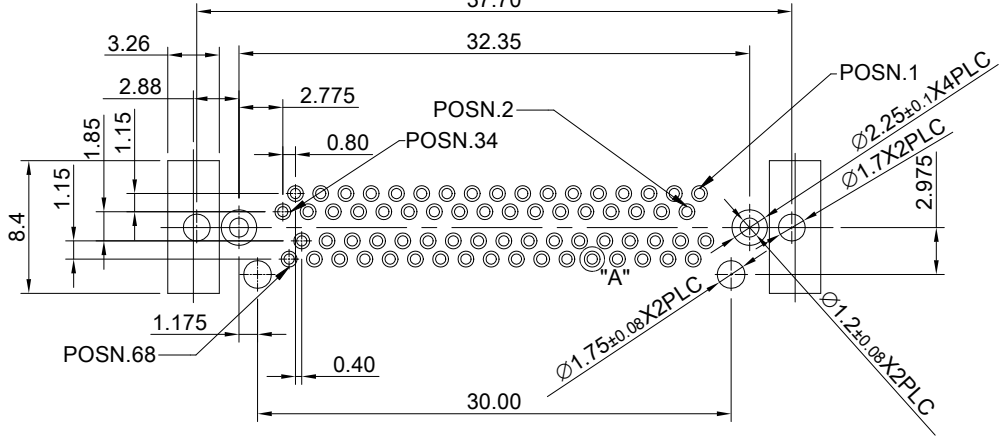
**MATERIALS**  
 CONTACTS: COPPER ALLOY  
 INSULATOR: THERMOPLASTIC 94V-0  
 SHELL: COLD ROLLER STEEL

**FINISHES**  
 CONTACT: 30 μ" MIN. GOLD ON MATING END;  
 TIN ON TERMINATION END;  
 ALL UNDERPLATED NICKEL  
 SHELL: NICKEL OVER COPPER

**ENVIRONMENT**  
 OPERATION TEMPERATURE: -55°C TO +85°C



REFERRAL TORQUE=2kgf-cm~2.5kgf-cm



RECOMMEND P C BOARD LAYOUT  
 (REFERENTIAL LAYOUT)  
 TOLERANCE: ±0.05

 <b>ALL BEST</b> ALL BEST ELECTRONICS CO., LTD.	TITLE: VHDCI 0.8mm Vertical Receptacle Connectors		
	DWG#: R-HS-008068-1B		SHEET: 1/1
	UNIT: mm	SCALE: A4 2:1	FINISH:
	TOLERANCE: Angle:± 1° X.± 0.25 .X± 0.2 .XX± 0.15		MATERIAL: RoHS Compliant
THIRD ANGLE PROJECTION		DRAWN: Yilu	REV. E
CHECKED: Gary Kang		APPROVED: George Yang	DATE: 09/30/2021

A B C D E F G H