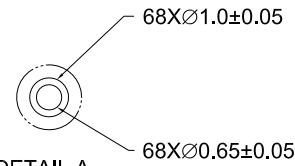
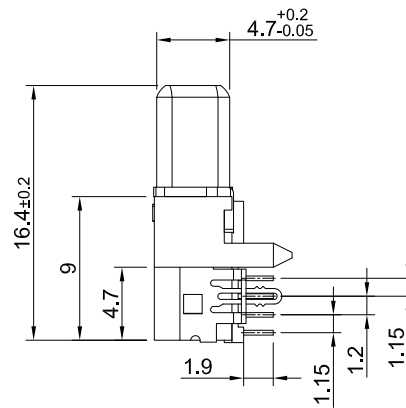
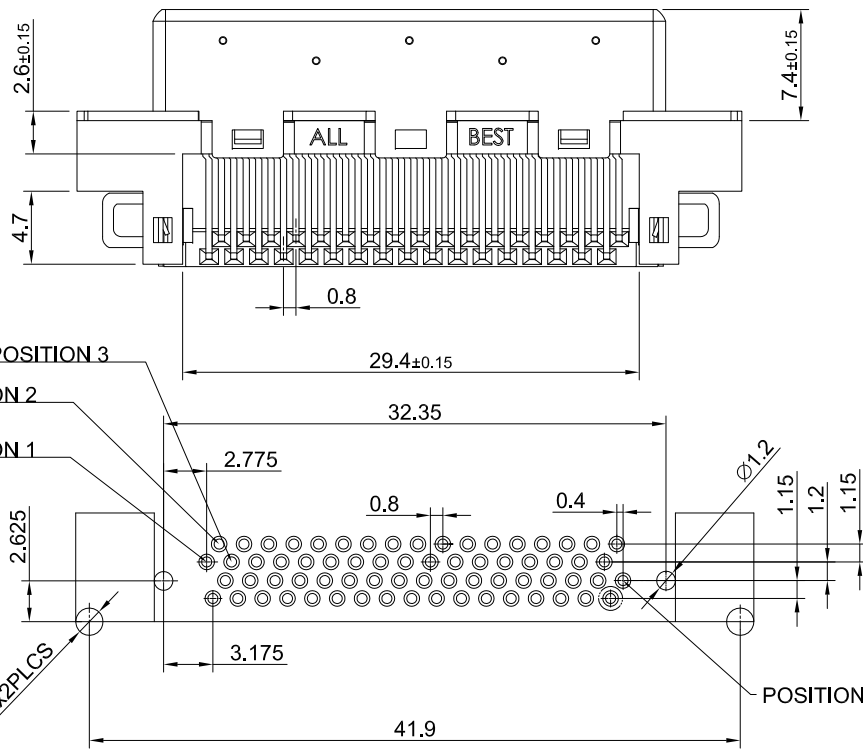


**ELECTRICAL CHARACTERISTICS**  
 CONTACT CURRENT RATING:0.5AMPERE  
 DIELECTRIC WITHSTANDING VOLTAGE:250 VAC  
 INSULATION RESISTANCE:500 MEGOHMS MIN.  
 CONTACT RESISTANCE:80 MILLIOHMS MAX.

**MATERIALS**  
 CONTACTS:COPPER ALLOY  
 INSULATOR:THERMOPLASTIC 94V-0  
 SHELL:COLD ROLLER STEEL

**FINISHES**  
 CONTACT:30 μ" MIN. GOLD ON MATING END;  
 TIN ON TERMINATION END;  
 ALL UNDERPLATED NICKEL  
 SHELL:NICKEL OVER COPPER

**ENVIRONMENT**  
 OPERATION TEMPERATURE: -55°C TO +85°C



DETAIL A  
 SCALE 5:1

RECOMMENDED P.C.BOARD LAYOUT  
 (REFERENTIAL LAYOUT)  
 TOLERANCE:± 0.05

	TITLE: VHDCI 0.8mm R/A Plug		SHEET: 1/1	REV. D
	DWG#: R-HI-008068-2		CHECKED: Gary Kang	
	UNIT: mm	SCALE: A4 2:1	APPROVED: George Yang	
	THIRD ANGLE PROJECTION		MATERIAL: RoHS Compliant	DATE: 04/15/2014
TOLERANCE: X.± 0.25 .X± 0.2 .XX± 0.15		DRAWN: Sheng		