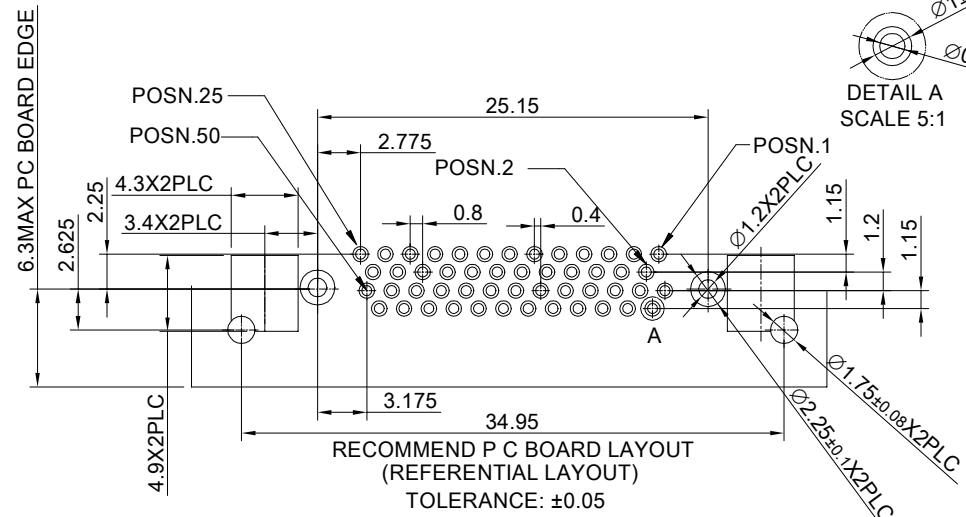
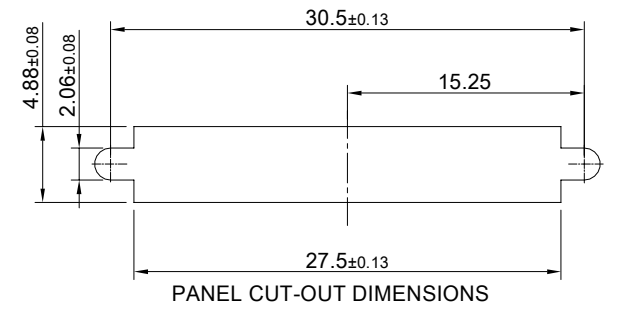
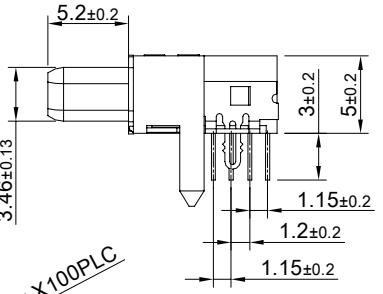
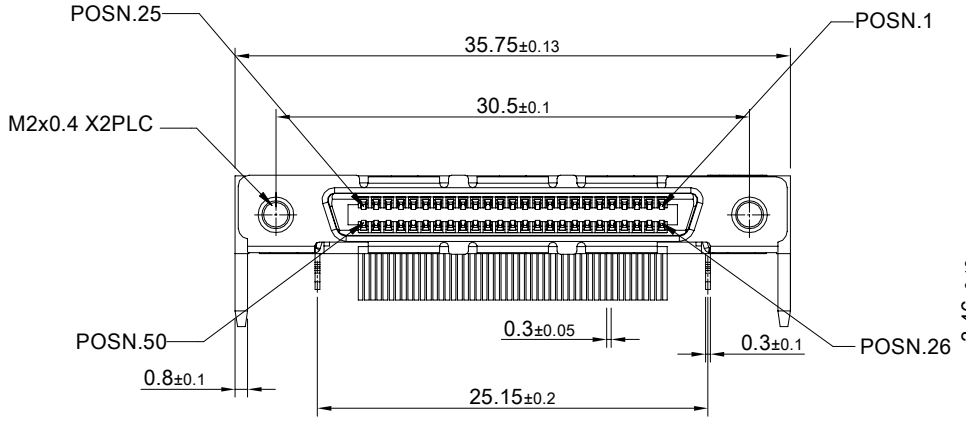


ELECTRICAL CHARACTERISTICS
 CONTACT CURRENT RATING: 0.5 AMPERE
 DIELECTRIC WITHSTANDING VOLTAGE: 250 VAC
 INSULATION RESISTANCE: 500 MEGOHMS MIN.
 CONTACT RESISTANCE: 80 MILLIOHMS MAX.

MATERIALS
 CONTACTS: COPPER ALLOY
 INSULATOR: THERMOPLASTIC 94V-0
 SHELL: COLD ROLLER STEEL

FINISHES
 CONTACT: 30 μ" MIN. GOLD ON MATING END;
 TIN ON TERMINATION END;
 ALL UNDERPLATED NICKEL
 SHELL: NICKEL OVER COPPER

ENVIRONMENT
 OPERATION TEMPERATURE: -55°C TO +85°C



DETAIL A
 SCALE 5:1



TITLE: VHDCI 0.8mm R/A Receptacle		SHEET: 1/1	REV. B
DWG#: R-HS-008050-2		CHECKED: Gary Kang	
UNIT: mm	SCALE: A4 2:1	APPROVED: George Kang	
THIRD ANGLE PROJECTION		MATERIAL: RoHS Compliant	DATE: 01/03/2017
TOLERANCE: Angle: ±1° X ± 0.25 .X ± 0.2 .XX ± 0.15		DRAWN: Sheng	