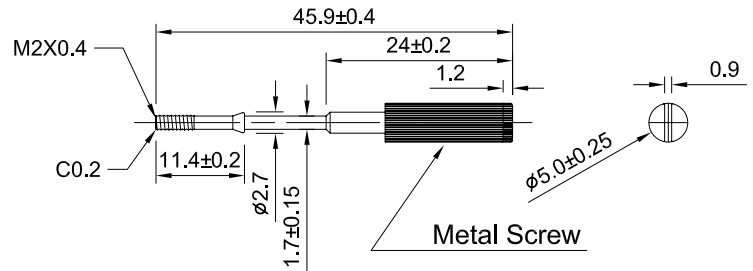
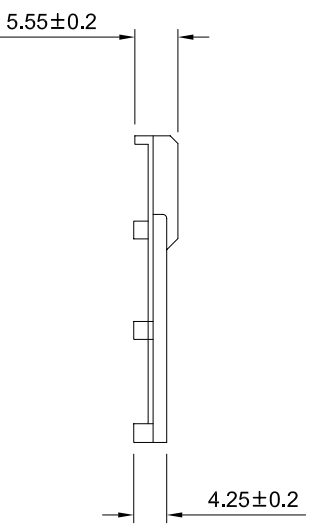
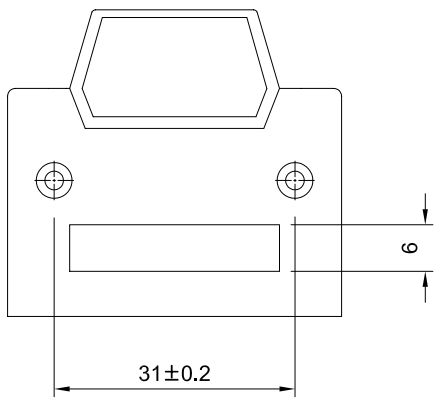



MATERIALS
BACKSHELL: ZINC ALLOY

FINISHES
BACKSHELL PLATED NICKEL OVER COPPER
SCREW PLATED NICKEL OVER COPPER



REFERRAL TORQUE = 2 kgf-cm ~ 2.5 kgf-cm

 ALL BEST ALL BEST ELECTRONICS CO., LTD.	TITLE: VHDCI 0.8mm Offset Zinc Alloy Backshell			
	DWG#: R-ZC-008068-B5		SHEET: 1 / 1	REV: B
	UNIT: mm	FINISH:	CHECKED: <i>Haven Yang</i>	
	SCALE: 1:1	MATERIAL: RoHS Compliant	APPROVED: <i>George Yang</i>	
	TOLERANCE: X.±0.25 .X±0.2 .XX±0.15	DRAWN: James	DATE: 04/23/2007	