

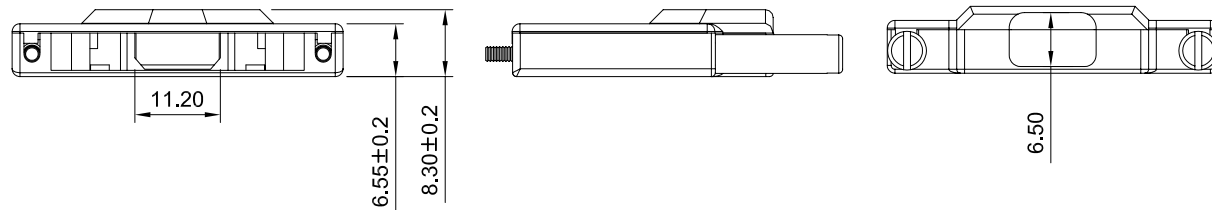
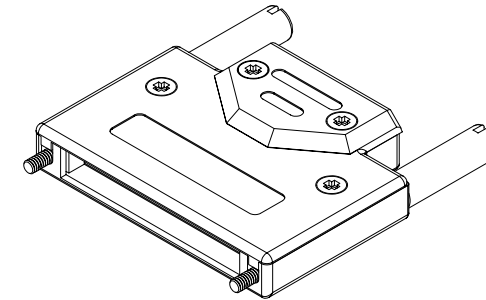
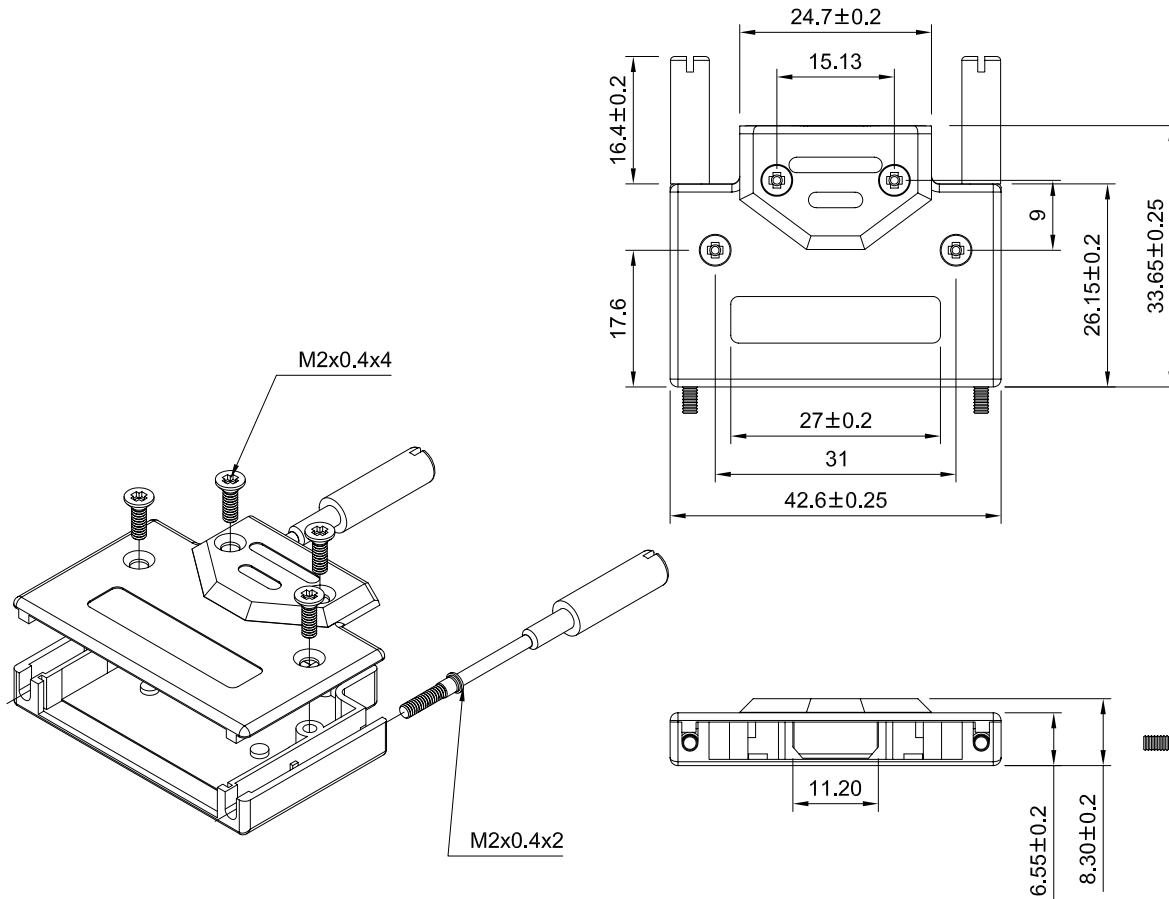
MATERIALS

BACKSHELL: ZINC ALLOY

FINISHES

BACKSHELL PLATED NICKEL OVER COPPER

SCERW PLATED NICKEL OVER COPPER



REFERRAL TORQUE = 2 kgf-cm ~ 2.5 kgf-cm



TITLE: ZINC BACKSHELL KITS-OFFSET			
DWG#: R-ZC-008068-B3		SHEET: 1 / 1	REV. B
UNIT: mm	FINISH:	CHECKED: Haven Yang	
SCALE: 1:1	MATERIAL: RoHS Compliant	APPROVED: George Yang	
TOLERANCE: X.±0.25 .X±0.2 .XX±0.15	DRAWN: James	DATE: 04/23/2007	