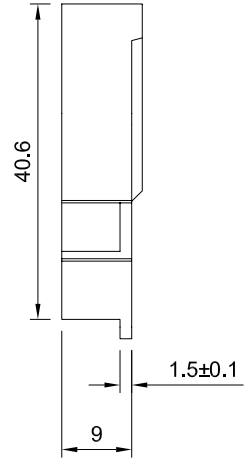
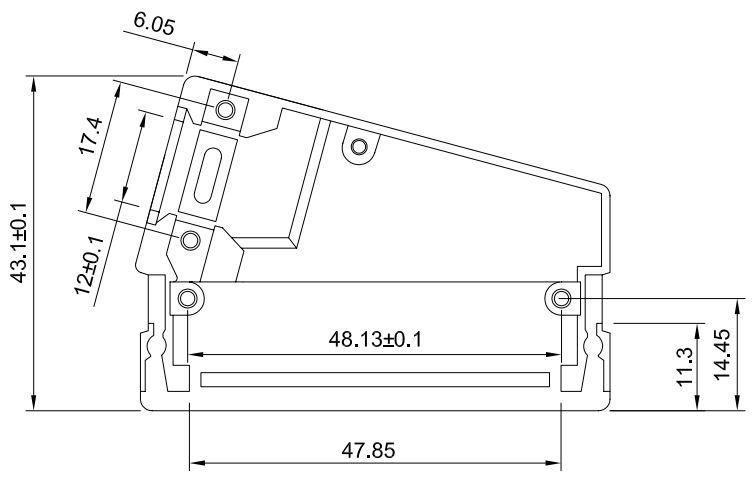


**MATERIALS**  
BACKSHELL: ZINC ALLOY

**FINISHES**  
BACKSHELL: ZINC ALLOY,  
PLATED NICKEL OVER COPPER



REFERRAL TORQUE = 2 kgf-cm ~ 2.5 kgf-cm



TITLE: 75° Cable Exit 68 Positions Backshell			
DWG#: R-ZC-013068-R		SHEET: 1 / 1	REV. B
UNIT: mm	FINISH:	CHECKED: <i>Haven Yang</i>	
SCALE: 1:1	MATERIAL: RoHS Compliant	APPROVED: <i>George Yang</i>	
TOLERANCE: X.±0.25 .X±0.2 .XX±0.15	DRAWN: Mandy	DATE: 04/26/2007	