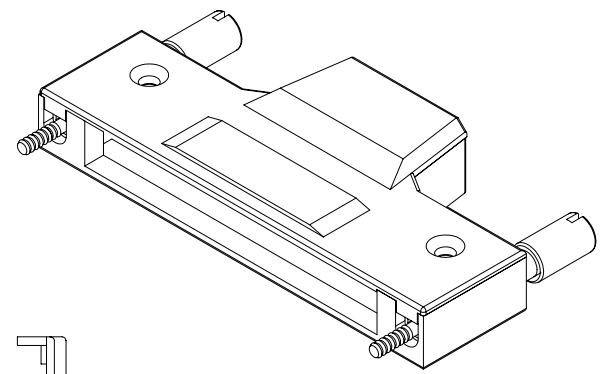
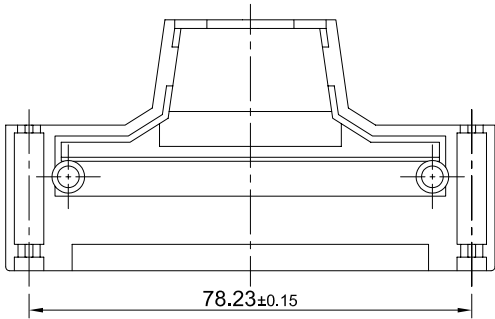
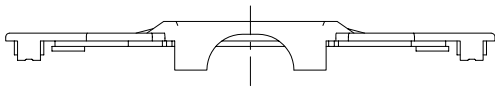
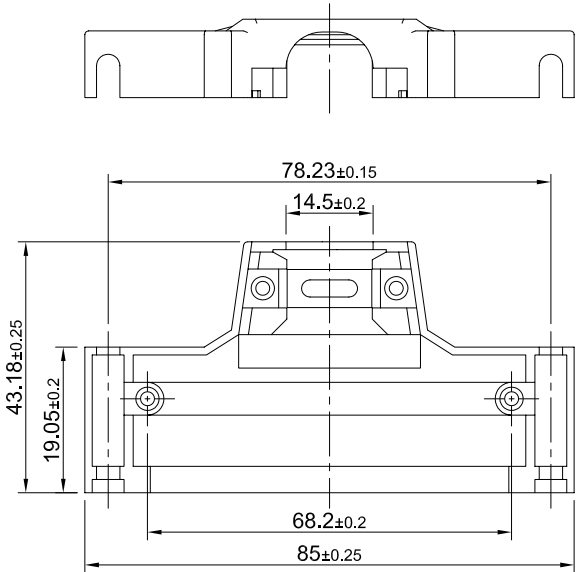


A B C D E F G H

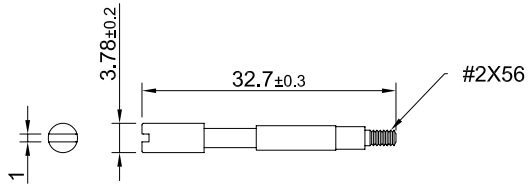
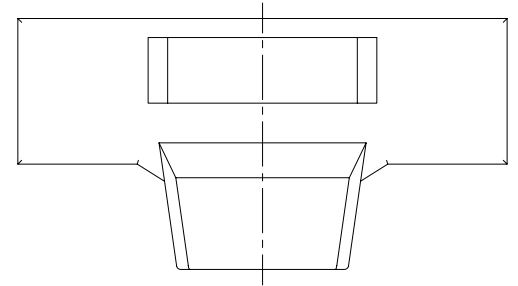
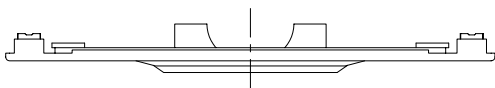
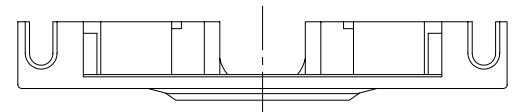
1
2
3
4
5
6
7
8

1
2
3
4
5
6
7
8



MATERIALS
 BACKSHELL: ZINC ALLOY
 THUMBSCREW: STEEL

FINISHES
 BACKSHELL: PLATED NICKEL
 THUMBSCREW: PLATED NICKEL



REFERRAL TORQUE=2kgf-cm~2.5kgf-cm

<p>ALL BEST ALL BEST ELECTRONICS CO., LTD.</p>	TITLE: .050 Series Backshell		SHEET:	REV.
	DWG#: R-ZC-013100-S		1/1	C
	UNIT: mm	SCALE: A4 N/A	FINISH:	CHECKED: <i>Gary Kang</i>
	TOLERANCE: Angle:± 1° X.± 0.25 .X± 0.2 .XX± 0.15		MATERIAL: RoHS Compliant	APPROVED: <i>George Yang</i>
THIRD ANGLE PROJECTION		DRAWN: Henk Wu	DATE: 10/30/2012	

A B C D E F G H