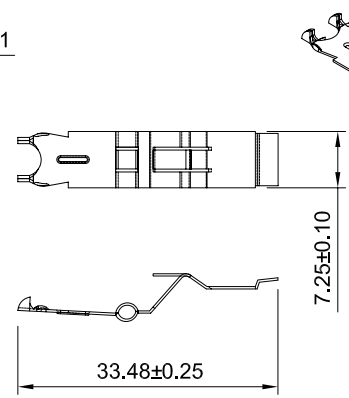
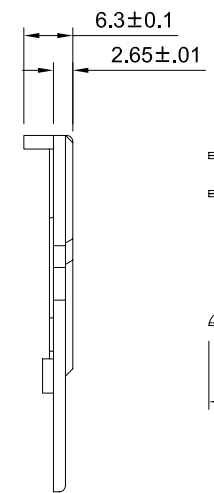
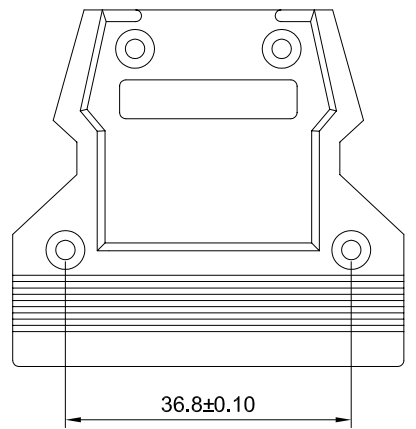
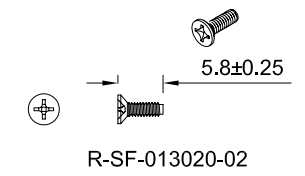
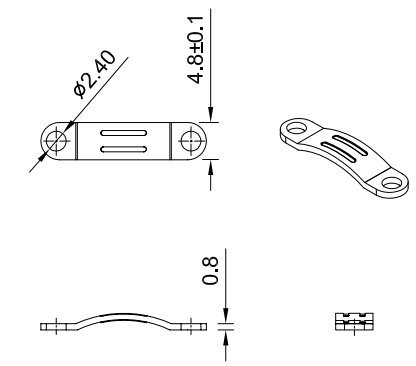


MATERIALS
 BACKSHELL: ZINC ALLOY

FINISHES
 BACKSHELL: ZINC ALLOY,
 PLATED NICKEL OVER COPPER



R-SN-013026-01



R-CN-013050-01

REFERRAL TORQUE = 2 kgf-cm ~ 2.5 kgf-cm



TITLE: .050 BACKSHELL KITS			
DWG#: R-ZC-013050-B		SHEET: 1 / 1	REV. B
UNIT: mm	FINISH:	CHECKED: <i>Haven Yang</i>	
SCALE: 1:1	MATERIAL: RoHS Compliant	APPROVED: <i>George Yang</i>	
TOLERANCE: X.±0.25 .X±0.2 .XX±0.15	DRAWN: JAMES	DATE: 04/26/2007	