

ELECTRICAL CHARACTERISTICS

CONTACT CURRENT RATING: 0.5 AMPERE (signal)
1 AMPERE (ground)
DIELECTRIC WITHSTANDING VOLTAGE: 30 VAC.
INSULATION RESISTANCE: 1000 MEGOHMS MIN.
CONTACT RESISTANCE: 80 MILLIOHMS MAX.(signal)
35 MILLIOHMS MAX.(ground)

MATERIALS

CONTACTS: COPPER ALLOY
INSULATOR: THERMOPLASTIC (UL94V-0)
BRACKET: ZINC ALLOY

FINISHES

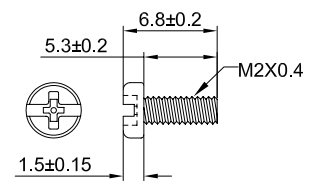
CONTACT: 30 u" MIN. GOLD ON MATING END;
TIN ON TERMINATION END;
ALL UNDERPLATED NICKEL

ENVIRONMENT

OPERATION TEMPERATURE: -40°C TO + 85°C
DURABILITY: 250 MATING CYCLES MAX.
HUMIDITY: 80%RH MAX.

NOTES

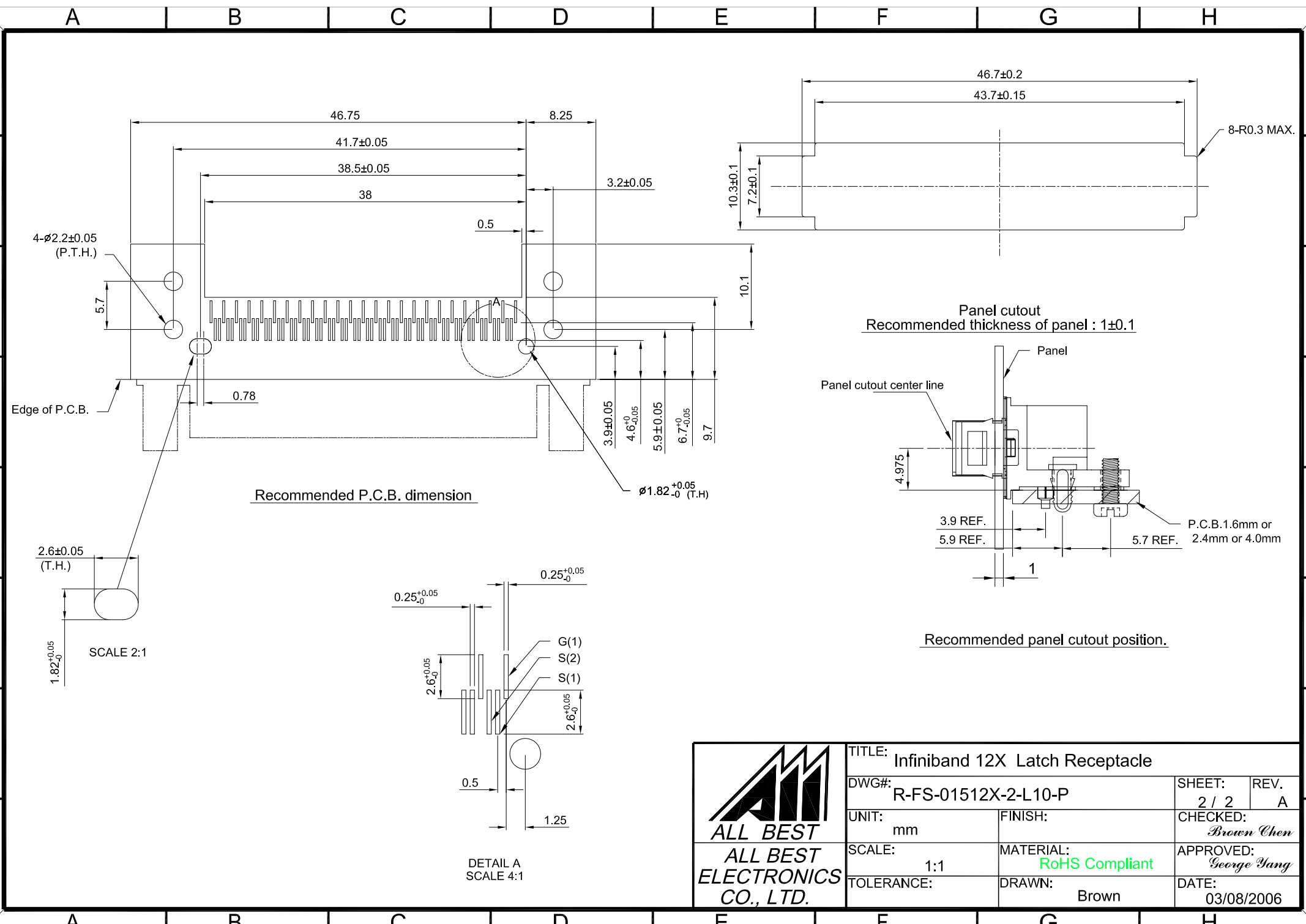
- 1.MATERIAL:STEEL,NICKEL PLATED.
- 2.SHIP WITH TWO STAND-OFFS R-SF-01504X-01 P.C.B. MOUNTING SCREWS



P/N: R-SF-01504X-01



TITLE: Infiniband 12X Latch Receptacle		
DWG#: R-FS-01512X-2-L10-P	SHEET: 1 / 2	REV. A
UNIT: mm	FINISH:	CHECKED: Brown Chen
SCALE: 1:1	MATERIAL: RoHS Compliant	APPROVED: George Yang
TOLERANCE:	DRAWN: Brown	DATE: 03/08/2006



TITLE: Infiniband 12X Latch Receptacle		SHEET: 2 / 2		REV. A	
DWG#: R-FS-01512X-2-L10-P		CHECKED: <i>Brown Chen</i>		APPROVED: <i>George Yang</i>	
UNIT: mm	FINISH: Brown	MATERIAL: RoHS Compliant		DATE: 03/08/2006	
SCALE: 1:1	DRAWN: Brown				
TOLERANCE:					