

**ELECTRICAL CHARACTERISTICS**

CONTACT CURRENT RATING: 0.5 AMPERE (signal)  
 1 AMPERE (ground)  
 DIELECTRIC WITHSTANDING VOLTAGE: 30 VAC.  
 INSULATION RESISTANCE: 1000 MEGOHMS MIN.  
 CONTACT RESISTANCE: 80 MILLIOHMS MAX. (signal)  
 35 MILLIOHMS MAX. (ground)

**MATERIALS**

CONTACTS: COPPER ALLOY  
 INSULATOR: THERMOPLASTIC (UL94V-0)  
 BRACKET: ZINC ALLOY

**FINISHES**

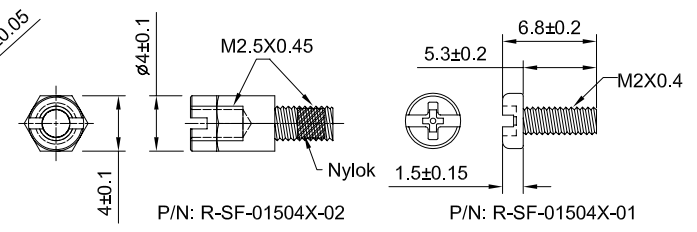
CONTACT: 30 u" MIN. GOLD ON MATING END;  
 TIN ON TERMINATION END;  
 ALL UNDERPLATED NICKEL

**ENVIRONMENT**

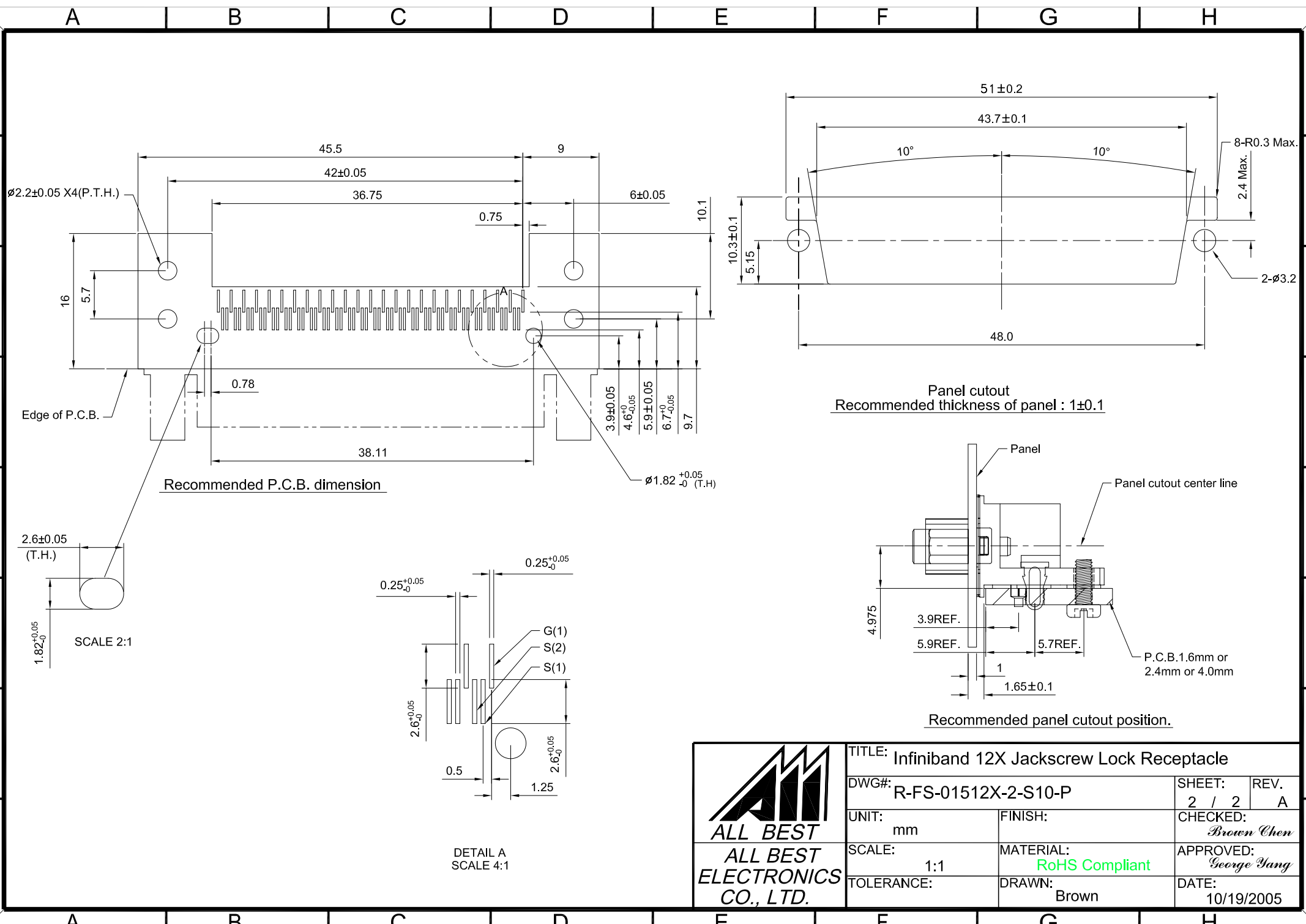
OPERATION TEMPERATURE: -40°C TO + 85°C  
 DURABILITY: 250 MATING CYCLES MAX.  
 HUMIDITY: 80%RH MAX.

**NOTES**

- 1. MATERIAL: STEEL, NICKEL PLATED.
- 2. SHIP WITH TWO STAND-OFFS R-SF-01504X-02 AND TWO P.C.B. MOUNTING SCREWS R-SF-01504X-01



TITLE: Infiniband 12X Jackscrew Lock Receptacle		SHEET:	REV.
DWG#: R-FS-01512X-2-S10-P		1 / 2	A
UNIT: mm	FINISH:	CHECKED: <i>Brown Chen</i>	
SCALE: 1:1	MATERIAL: <b>RoHS Compliant</b>	APPROVED: <i>George Yang</i>	
TOLERANCE:	DRAWN: Brown	DATE: 10/19/2005	



TITLE: Infiniband 12X Jackscrew Lock Receptacle		SHEET: 2 / 2		REV. A	
DWG#: R-FS-01512X-2-S10-P		CHECKED: <i>Brown Chen</i>		APPROVED: <i>George Yang</i>	
UNIT: mm	FINISH: Brown	MATERIAL: RoHS Compliant		DATE: 10/19/2005	
SCALE: 1:1	DRAWN: Brown				
TOLERANCE:					