

**ELECTRICAL CHARACTERISTICS**

CONTACT CURRENT RATING: 0.5 AMPERE (signal)  
 1 AMPERE (ground)

DIELECTRIC WITHSTANDING VOLTAGE: 30 VAC.

INSULATION RESISTANCE: 1000 MEGOHMS MIN.

CONTACT RESISTANCE: 80 MILLIOHMS MAX.(signal)  
 35 MILLIOHMS MAX.(ground)

**MATERIALS**

CONTACTS: COPPER ALLOY  
 INSULATOR: THERMOPLASTIC (UL94V-0)  
 BRACKET: ZINC ALLOY

**FINISHES**

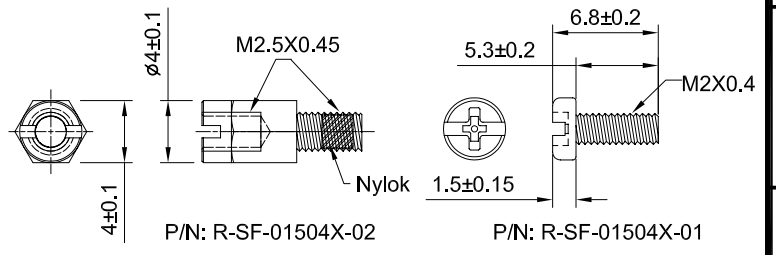
CONTACT: 30 u" MIN. GOLD ON MATING END;  
 TIN ON TERMINATION END;  
 ALL UNDERPLATED NICKEL

**ENVIRONMENT**

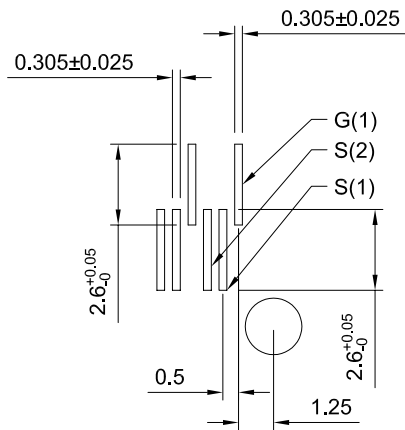
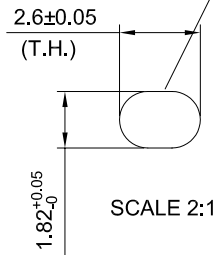
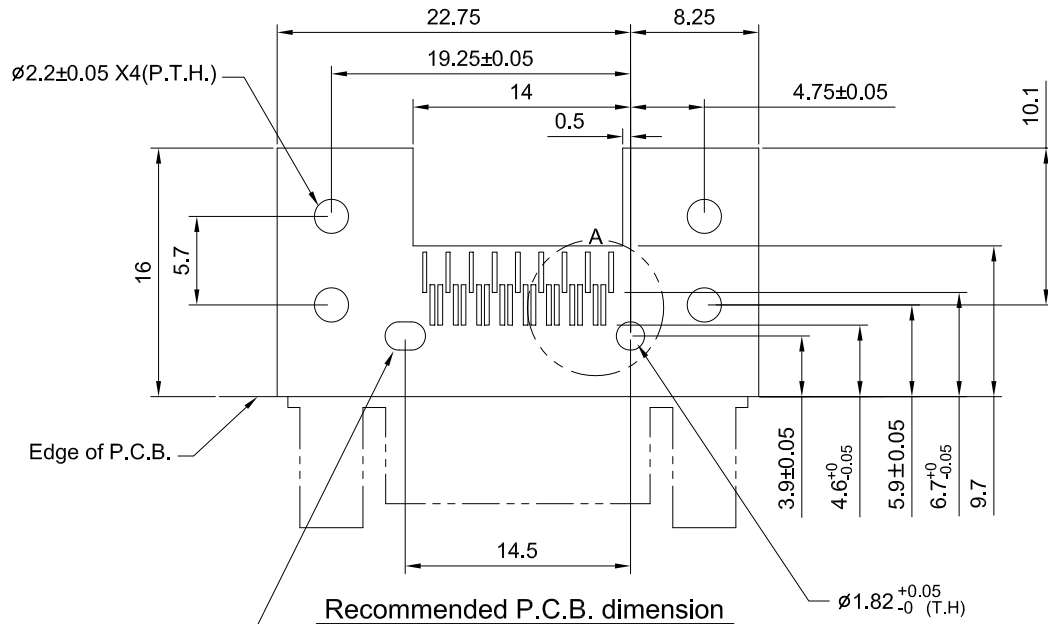
OPERATION TEMPERATURE: -40°C TO + 85°C  
 DURABILITY: 250 MATING CYCLES MAX.  
 HUMIDITY: 80%RH MAX.

**NOTES**

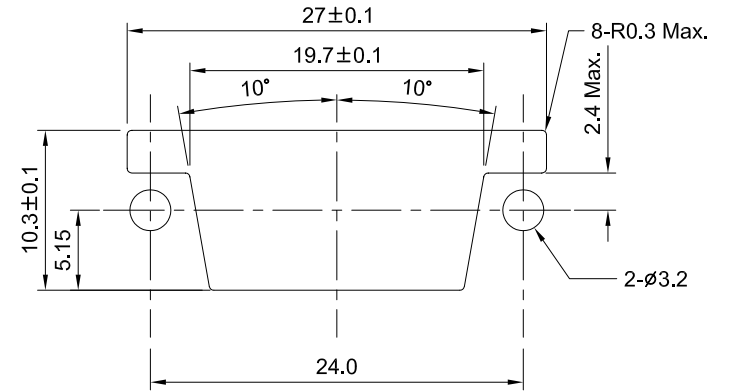
- MATERIAL: STEEL, NICKEL PLATED.
- SHIP WITH TWO STAND-OFFS R-SF-01504X-02 AND TWO P.C.B. MOUNTING SCREWS R-SF-01504X-01



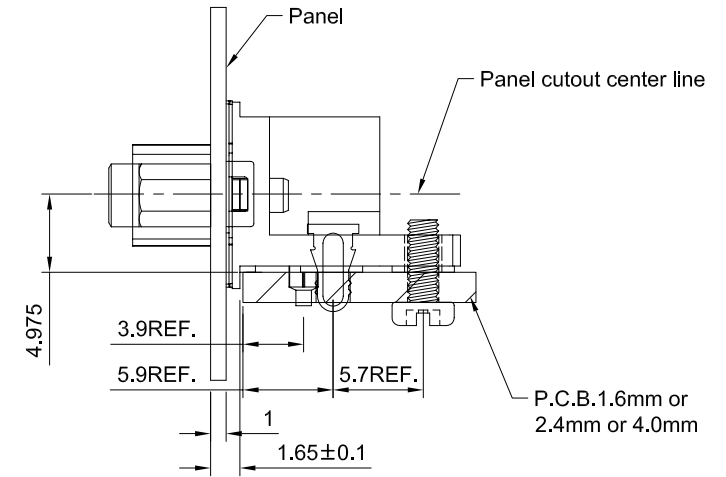
TITLE: Infiniband 4X Jackscrew Lock Receptacle		
DWG#: R-FS-01504X-2-S10-P	SHEET: 1 / 2	REV. B
UNIT: mm	FINISH:	CHECKED: <i>Brown Chen</i>
SCALE: 2 : 1	MATERIAL: <b>RoHS Compliant</b>	APPROVED: <i>George Yang</i>
TOLERANCE:	DRAWN: Mandy	DATE: 10/19/2005



Recommended P.C.B. dimension



Panel cutout  
Recommended thickness of panel : 1±0.1



Recommended panel cutout position.



TITLE: Infiniband 4X Jackscrew Lock Receptacle		SHEET: 2 / 2		REV. B
DWG#: R-FS-01504X-2-S10-P		CHECKED: Brown Chen		APPROVED: George Yang
UNIT: mm	FINISH:	MATERIAL: RoHS Compliant		DATE: 10/19/2005
SCALE: 2:1	DRAWN: Mandy			
TOLERANCE:				