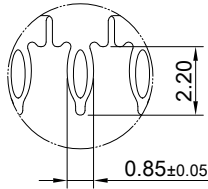
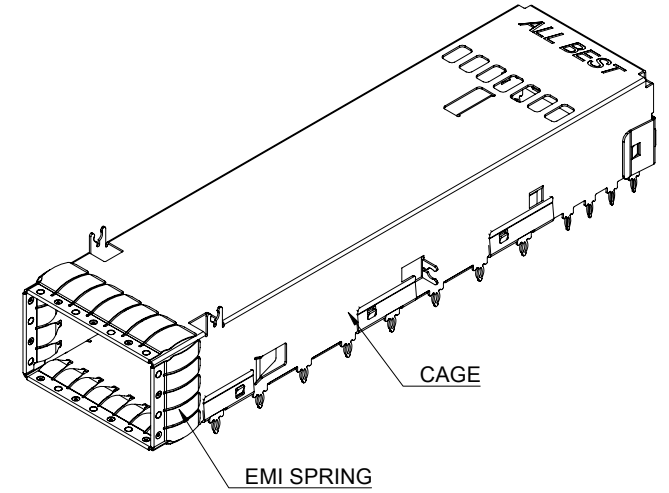
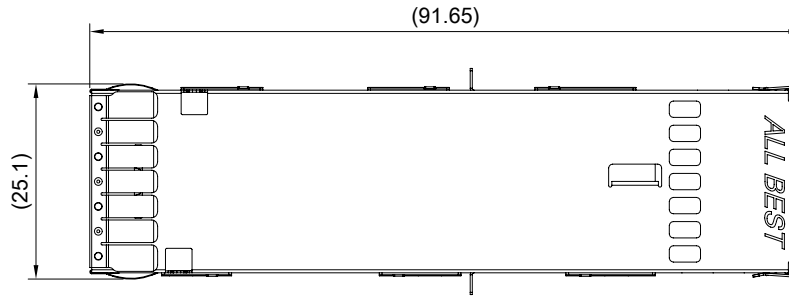


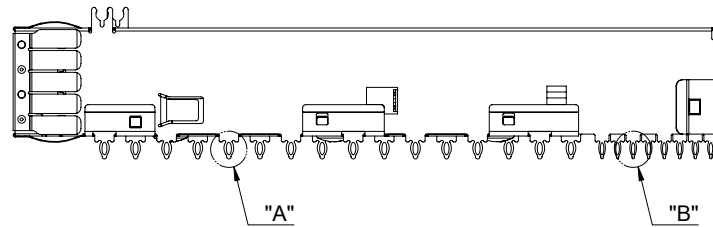
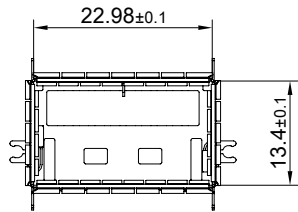
DETAIL A
SCALE 4:1



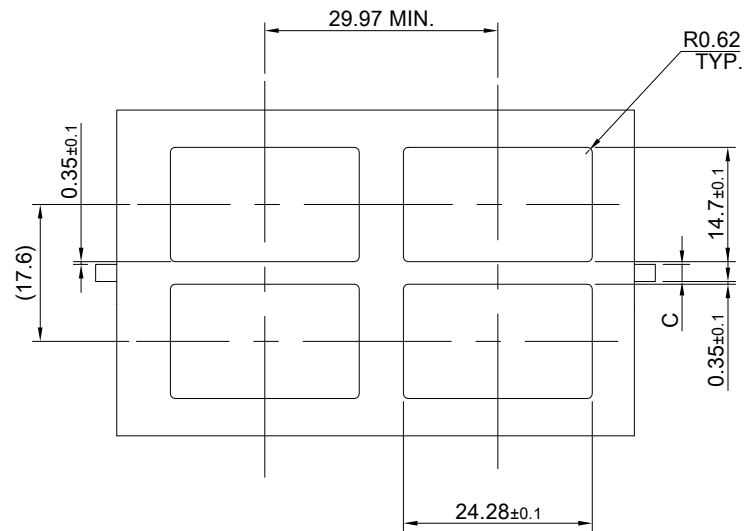
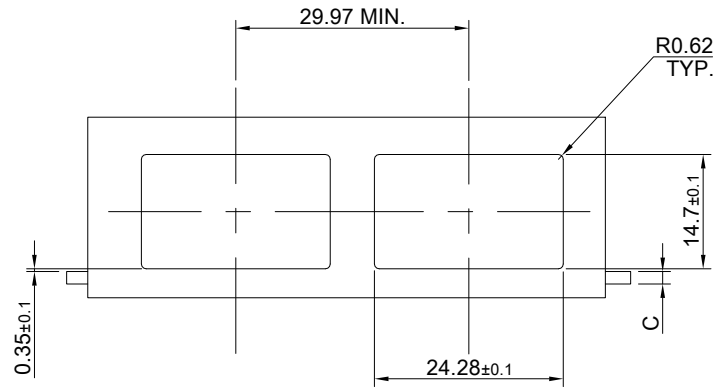
DETAIL B
SCALE 4:1



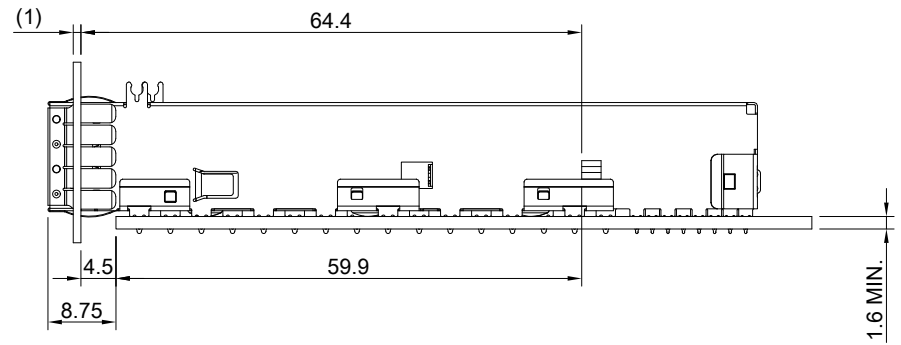
MATERIAL
CAGE: NICKEL SILVER
EMI SPRING: STAINLESS STEEL



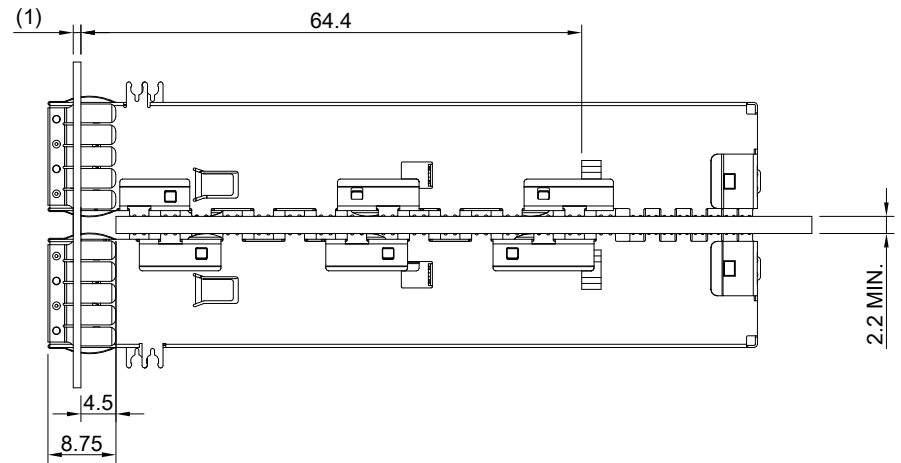
TITLE: OSFP 1X1 Cage Assembly			
DWG#: H-OR-OS1-4CMX7		SHEET: 1/4	REV. B
UNIT: mm	SCALE: A4 1:1	FINISH:	CHECKED: Gary Kang
TOLERANCE: Angle: ± 1° X.± 0.25 .X± 0.20 .XX± 0.15		MATERIAL: RoHS, HF Compliant	APPROVED: George Yang
		DRAWN: Kent	DATE: 11/15/2022




C = THICKNESS OF PC BOARD
 SINGLE-SIDE = 1.6 MM (MIN.)
 BELLY TO BELLY = 2.2MM (MIN.)

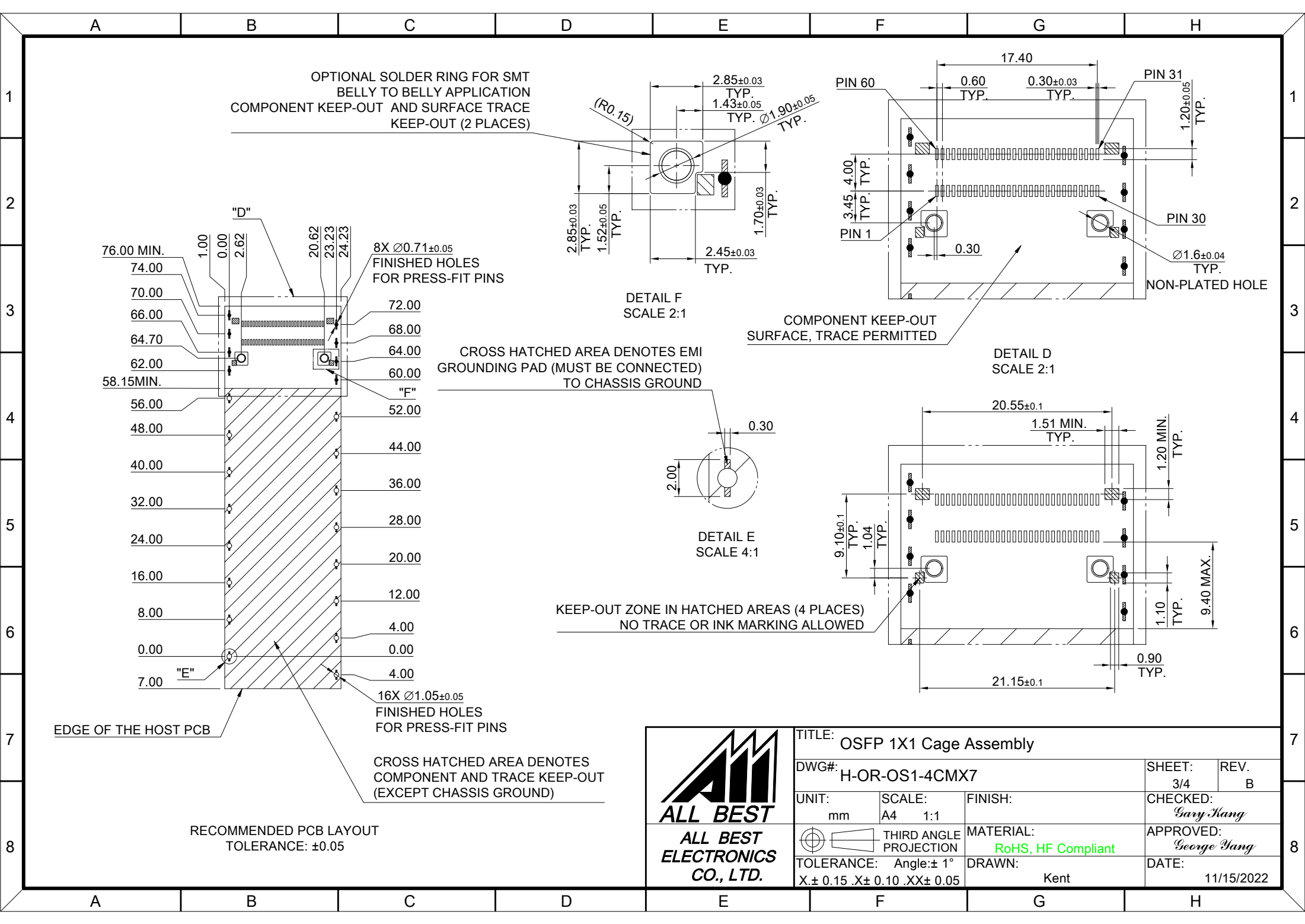


SINGLE-SIDE CONFIGURATION



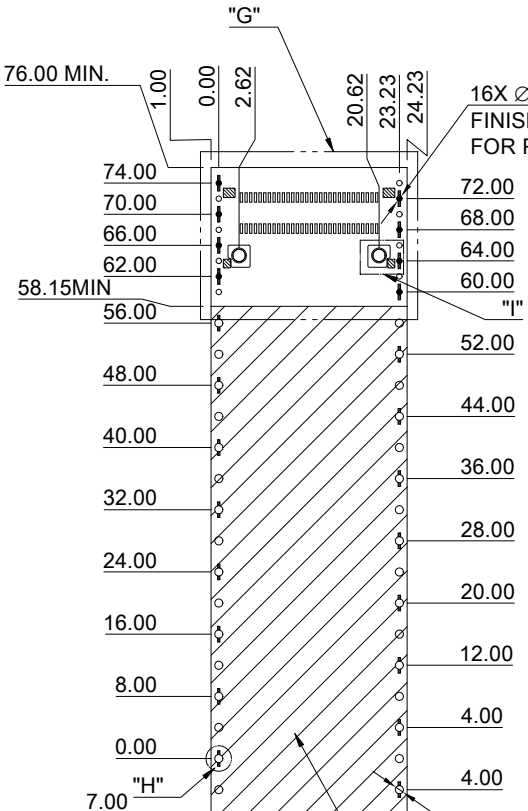
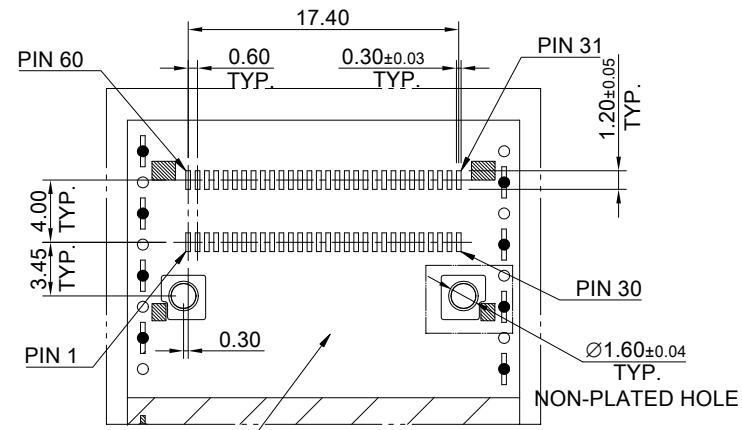
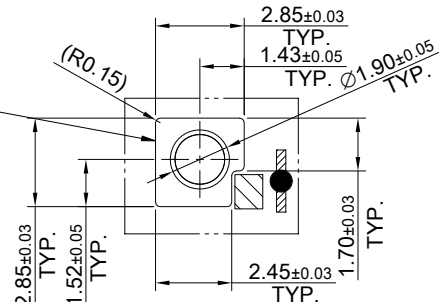
BELLY TO BELLY CONFIGURATION

 ALL BEST ELECTRONICS CO., LTD.	TITLE: OSFP 1X1 Cage Assembly		SHEET: 2/4		REV. B	
	DWG#: H-OR-OS1-4CMX7		CHECKED: Gary Kang		APPROVED: George Yang	
	UNIT: mm	SCALE: A4 1:1	FINISH:	MATERIAL: RoHS, HF Compliant		
	TOLERANCE: Angle: ± 1° X ± 0.15 .X ± 0.10 .XX ± 0.05		THIRD ANGLE PROJECTION	DRAWN: Kent	DATE: 11/15/2022	

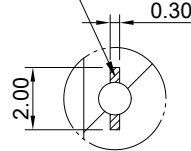


TITLE: OSFP 1X1 Cage Assembly			
DWG#: H-OR-OS1-4CMX7		SHEET: 3/4	REV. B
UNIT: mm	SCALE: A4 1:1	CHECKED: Gary Kang	
THIRD ANGLE PROJECTION		APPROVED: George Yang	
TOLERANCE: Angle: $\pm 1^\circ$		DATE: 11/15/2022	
X ± 0.15 .X ± 0.10 .XX ± 0.05		DRAWN: Kent	

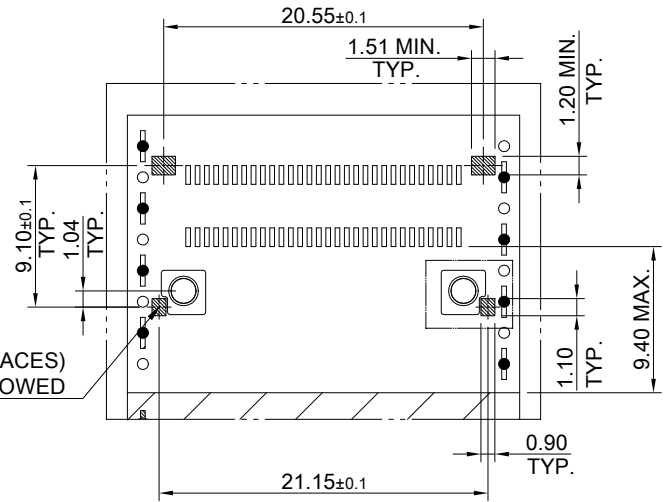
OPTIONAL SOLDER RING FOR SMT BELLY TO BELLY APPLICATION
COMPONENT KEEP-OUT AND SURFACE TRACE KEEP-OUT (2 PLACES)



CROSS HATCHED AREA DENOTES EMI GROUNDING PAD (MUST BE CONNECTED) TO CHASSIS GROUND



KEEP-OUT ZONE IN HATCHED AREAS (4 PLACES)
NO TRACE OR INK MARKING ALLOWED



CROSS HATCHED AREA DENOTES COMPONENT AND TRACE KEEP-OUT (EXCEPT CHASSIS GROUND)

RECOMMENDED PCB LAYOUT
TOLERANCE: ±0.05

EDGE OF THE HOST PCB

32X Ø1.05±0.05
FINISHED HOLES
FOR PRESS-FIT PINS

16X Ø0.71±0.05
FINISHED HOLES
FOR PRESS-FIT PINS



TITLE: OSFP 1X1 Cage Assembly		SHEET: 4/4	REV. B
DWG#: H-OR-OS1-4CMX7		CHECKED: Gary Kang	
UNIT: mm	SCALE: A4 1:1	APPROVED: George Yang	
FINISH:		DATE: 11/15/2022	
MATERIAL: RoHS, HF Compliant		DRAWN: Kent	
TOLERANCE: Angle: ± 1° X.± 0.15 .X± 0.10 .XX± 0.05			