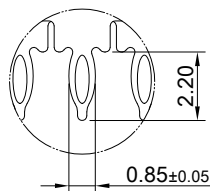
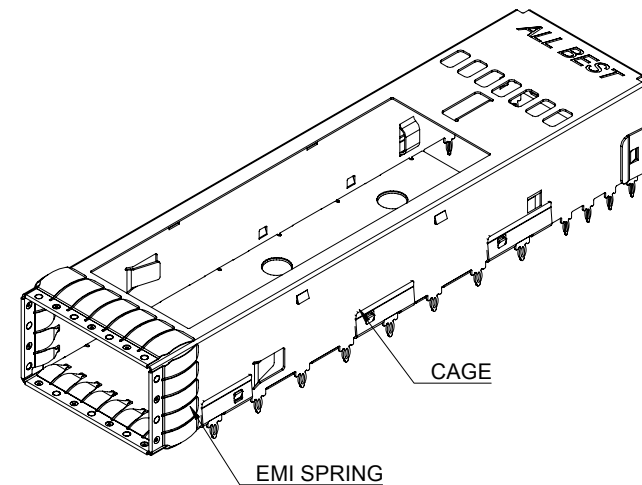
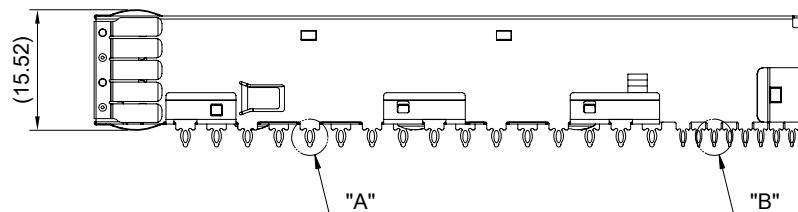
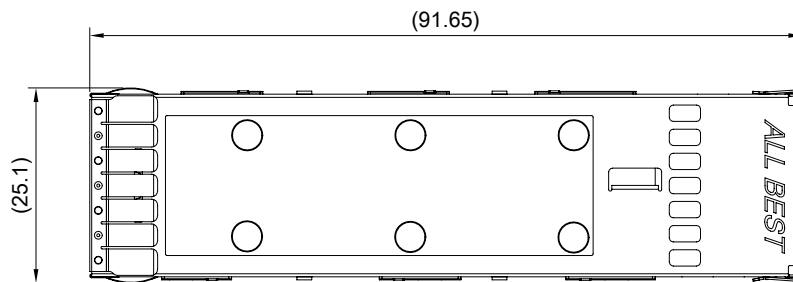
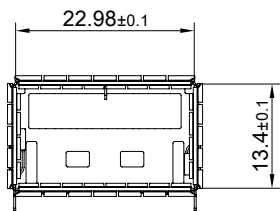


DETAIL A  
SCALE 4:1



DETAIL B  
SCALE 4:1



MATERIAL  
CAGE: NICKEL SILVER  
EMI SPRING: STAINLESS STEEL



TITLE: OSFP 1X1 Cage Assembly

DWG#: H-OR-OS1-4CMX6

UNIT: mm

SCALE: A4 1:1

FINISH:

SHEET: 1/4  
REV. B

THIRD ANGLE PROJECTION

MATERIAL: RoHS, HF Compliant

CHECKED: Gary Kang

APPROVED: George Yang

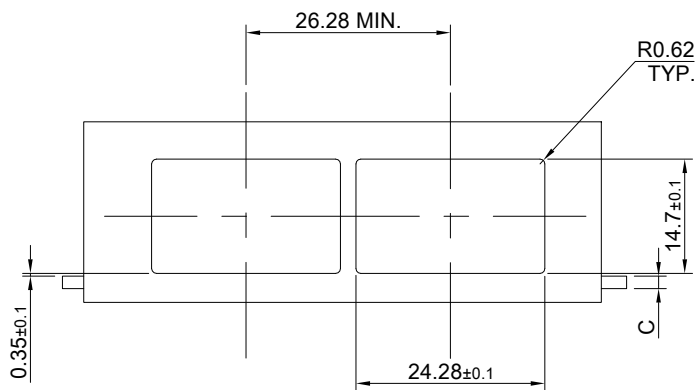
TOLERANCE: Angle: ± 1°  
X.± 0.25 .X± 0.20 .XX± 0.15

DRAWN: Kent

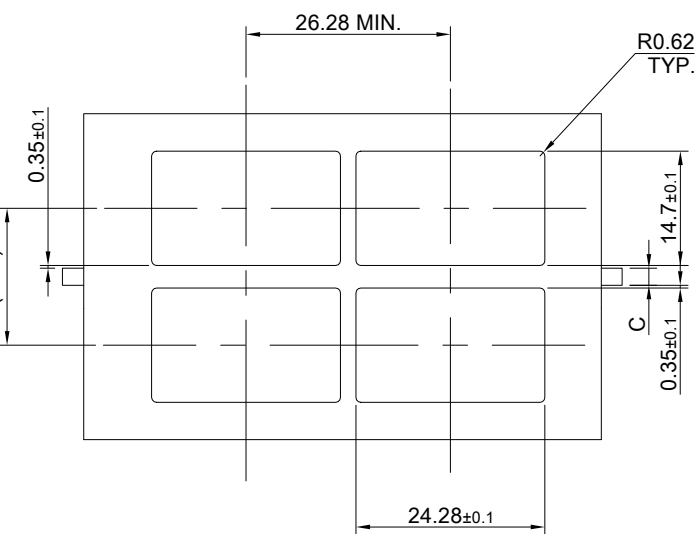
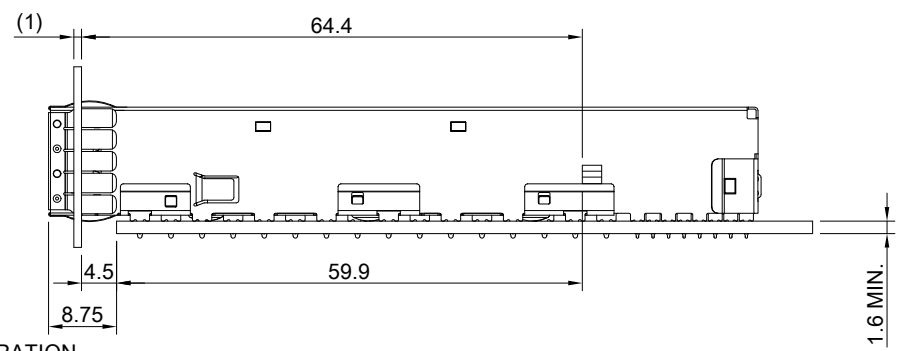
DATE: 11/15/2022

A B C D E F G H

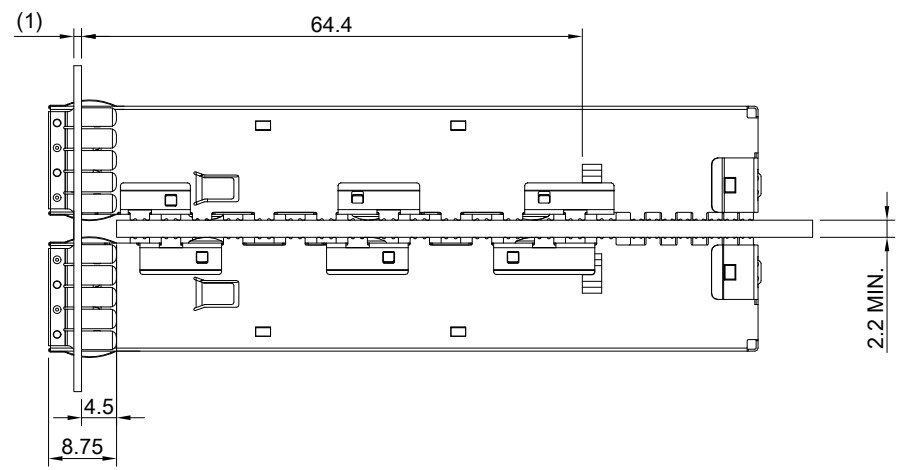
1  
2  
3  
4  
5  
6  
7  
8



SINGLE-SIDE CONFIGURATION



BELLY TO BELLY CONFIGURATION

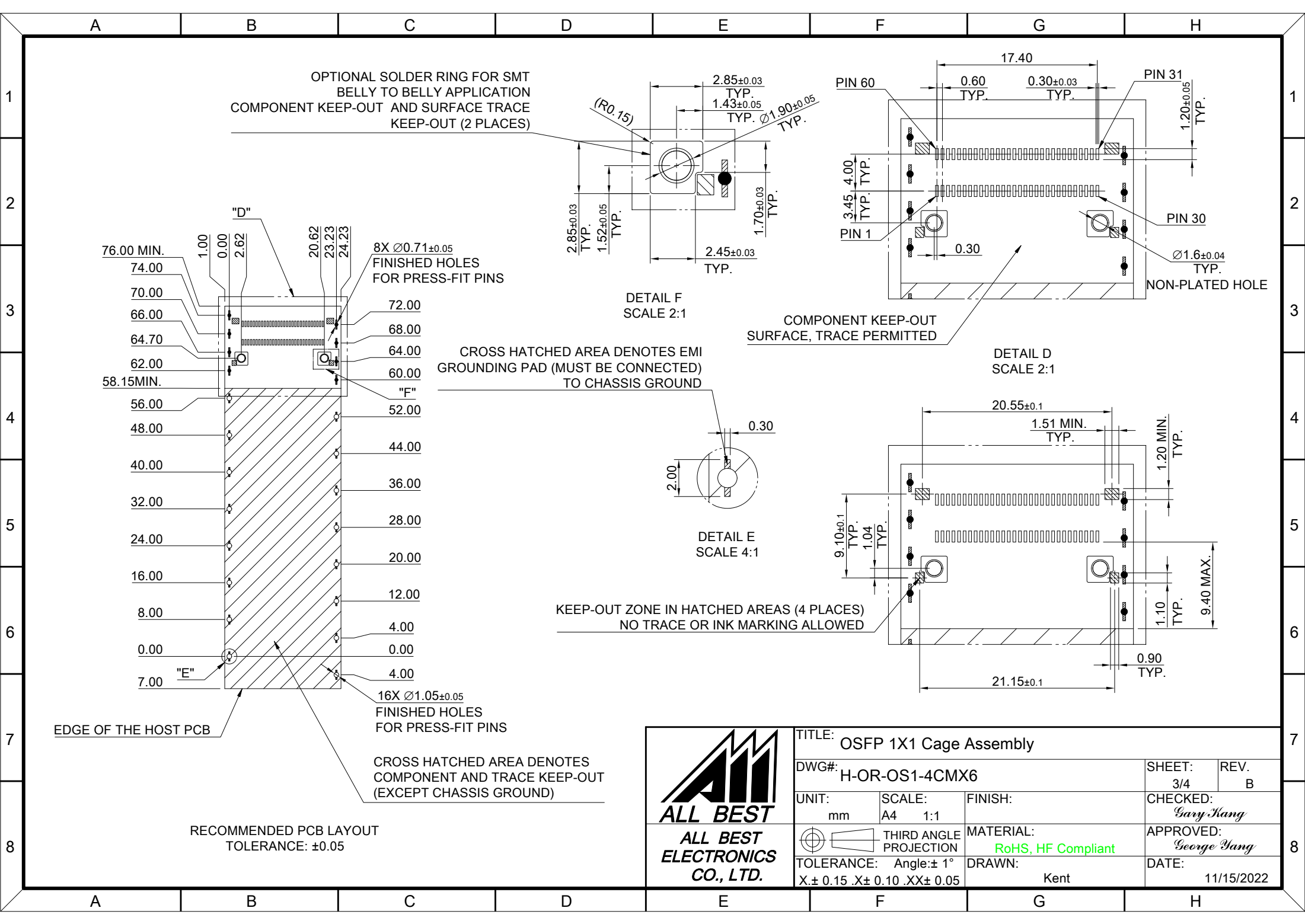


C = THICKNESS OF PC BOARD  
 SINGLE-SIDE = 1.6 MM (MIN.)  
 BELLY TO BELLY = 2.2MM (MIN.)



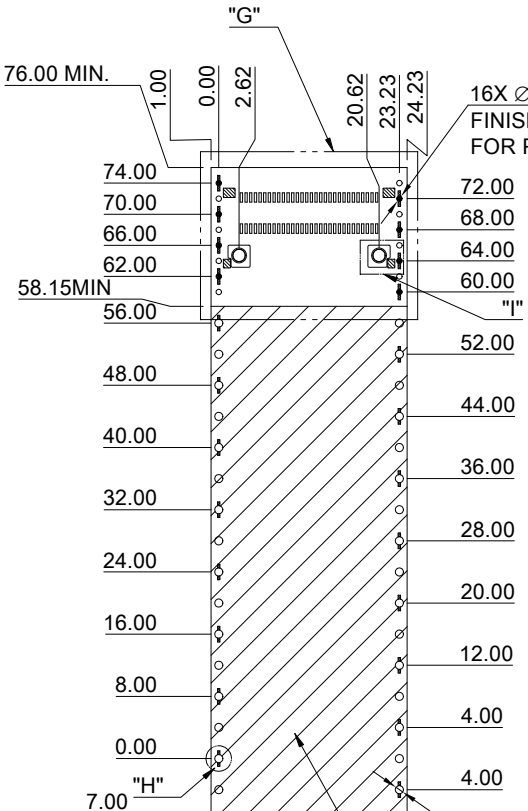
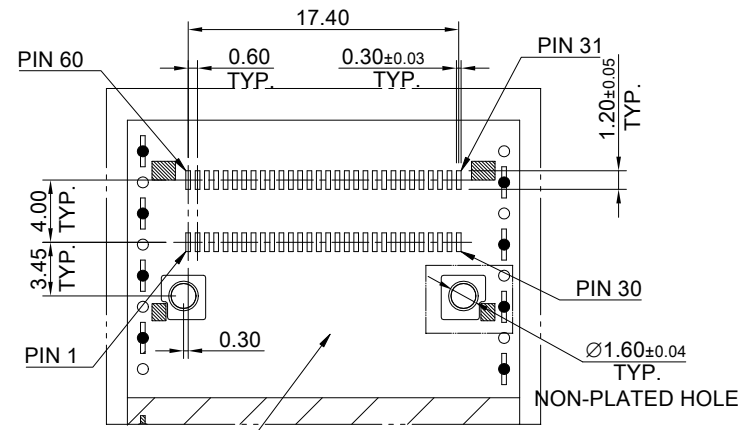
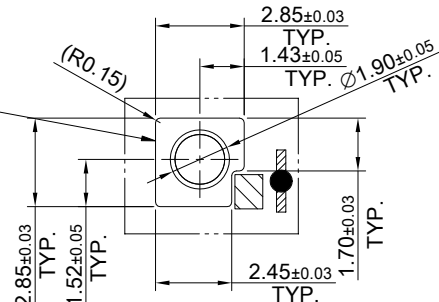
TITLE: OSFP 1X1 Cage Assembly		SHEET: 2/4	REV. B
DWG#: H-OR-OS1-4CMX6		CHECKED: Gary Kang	
UNIT: mm	SCALE: A4 1:1	APPROVED: George Yang	
THIRD ANGLE PROJECTION		MATERIAL: RoHS, HF Compliant	
TOLERANCE: Angle: ± 1° X ± 0.15 .X ± 0.10 .XX ± 0.05		DRAWN: Kent	DATE: 11/15/2022

A B C D E F G H

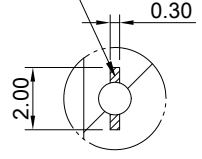


TITLE: OSFP 1X1 Cage Assembly			
DWG#: H-OR-OS1-4CMX6		SHEET: 3/4	REV. B
UNIT: mm	SCALE: A4 1:1	CHECKED: Gary Kang	
THIRD ANGLE PROJECTION		APPROVED: George Yang	
TOLERANCE: Angle: ± 1°		DATE: 11/15/2022	
X.± 0.15 .X± 0.10 .XX± 0.05		DRAWN: Kent	

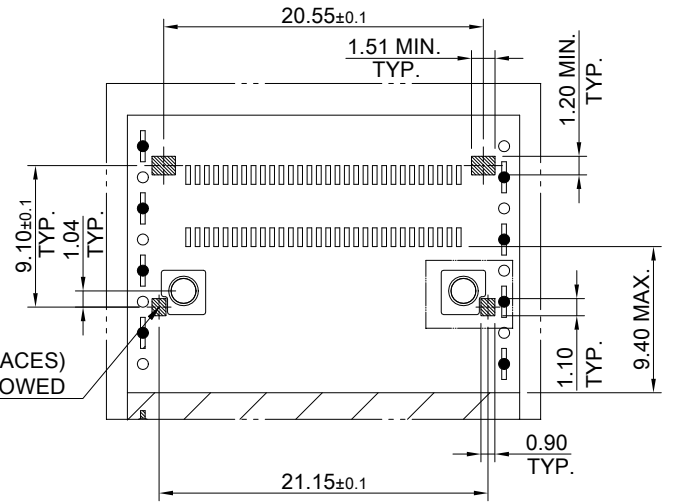
OPTIONAL SOLDER RING FOR SMT BELLY TO BELLY APPLICATION  
COMPONENT KEEP-OUT AND SURFACE TRACE KEEP-OUT (2 PLACES)



CROSS HATCHED AREA DENOTES EMI GROUNDING PAD (MUST BE CONNECTED) TO CHASSIS GROUND



KEEP-OUT ZONE IN HATCHED AREAS (4 PLACES)  
NO TRACE OR INK MARKING ALLOWED



CROSS HATCHED AREA DENOTES COMPONENT AND TRACE KEEP-OUT (EXCEPT CHASSIS GROUND)

EDGE OF THE HOST PCB

32X  $\varnothing 1.05 \pm 0.05$  FINISHED HOLES FOR PRESS-FIT PINS

RECOMMENDED PCB LAYOUT  
TOLERANCE:  $\pm 0.05$



TITLE: OSFP 1X1 Cage Assembly			
DWG#: H-OR-OS1-4CMX6		SHEET: 4/4	REV. B
UNIT: mm	SCALE: A4 1:1	CHECKED: Gary Kang	
THIRD ANGLE PROJECTION		APPROVED: George Yang	
TOLERANCE: Angle: $\pm 1^\circ$		DATE: 11/15/2022	
X. $\pm 0.15$ .X $\pm 0.10$ .XX $\pm 0.05$		DRAWN: Kent	