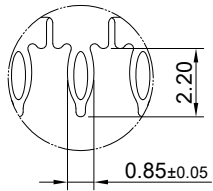
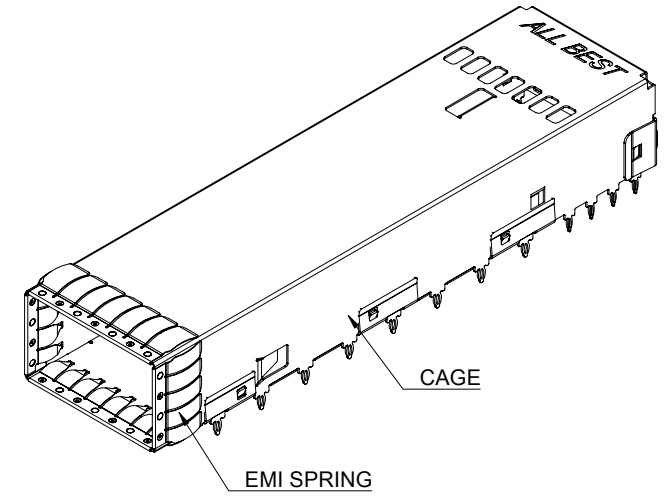
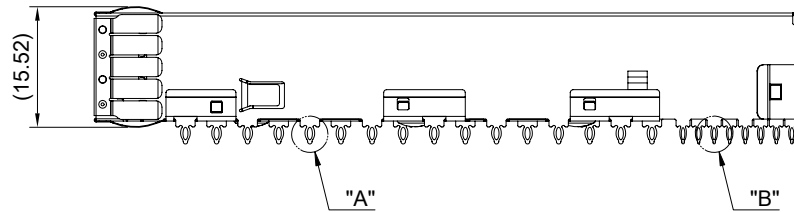
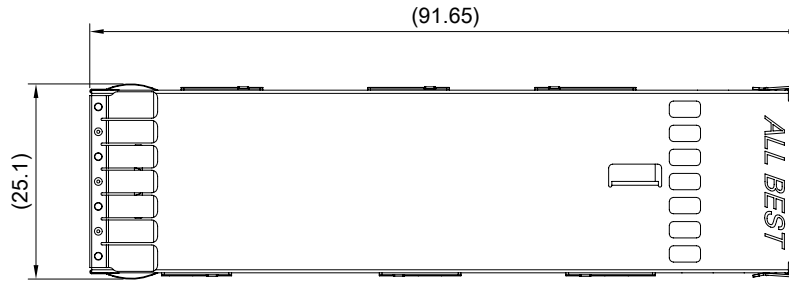
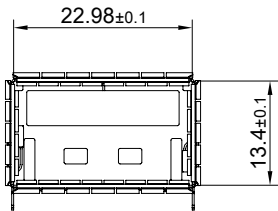


DETAIL A
SCALE 4:1



DETAIL B
SCALE 4:1



MATERIAL
CAGE: NICKEL SILVER
EMI SPRING: STAINLESS STEEL



TITLE: OSFP 1X1 Cage Assembly

DWG#: H-OR-OS1-4CMX5

SHEET: 1/4
REV. B

UNIT: mm
SCALE: A4 1:1

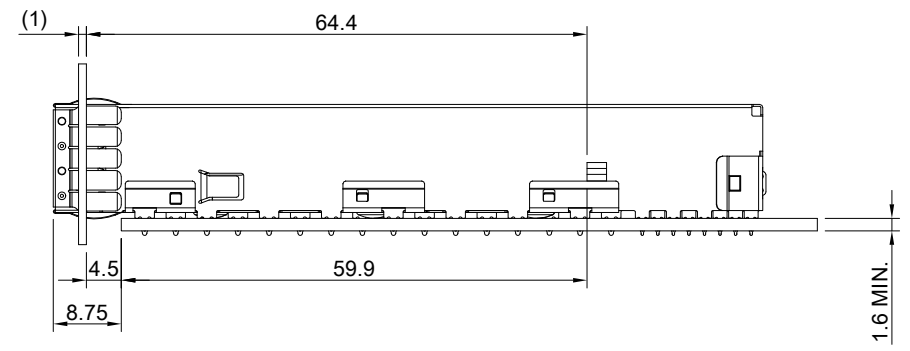
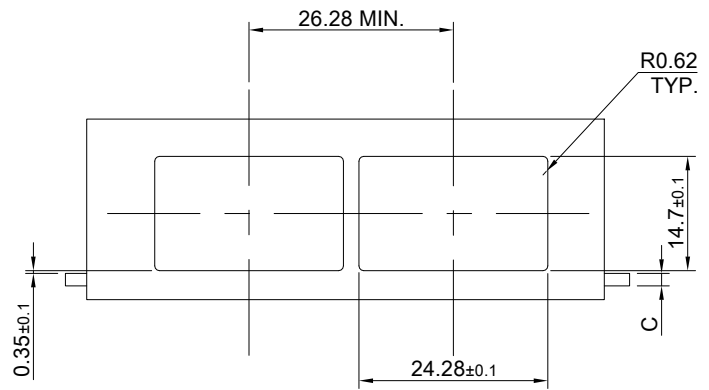
FINISH: CHECKED: Gary Kang

THIRD ANGLE PROJECTION

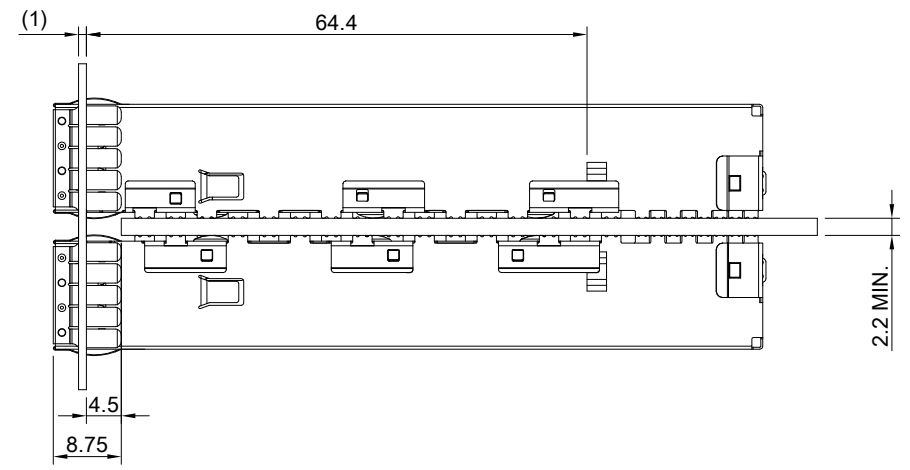
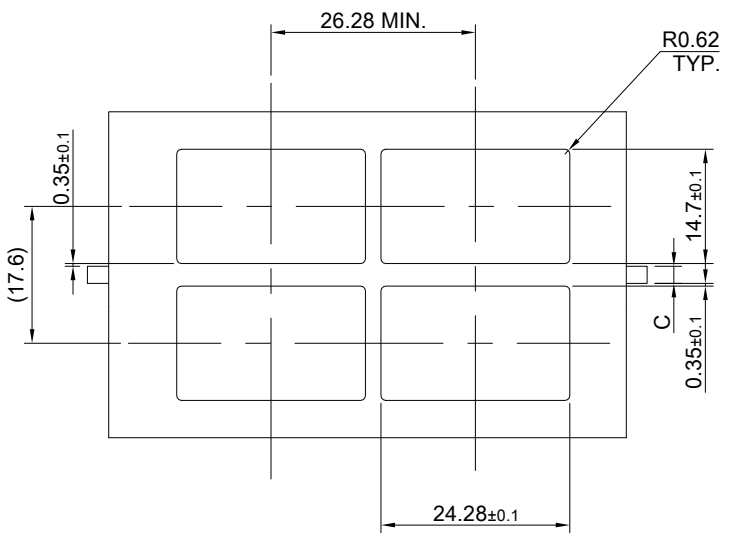
MATERIAL: RoHS, HF Compliant
APPROVED: George Yang

TOLERANCE: Angle: ± 1°
X.± 0.25 .X± 0.20 .XX± 0.15

DRAWN: Kent
DATE: 11/15/2022



SINGLE-SIDE CONFIGURATION



BELLY TO BELLY CONFIGURATION

C = THICKNESS OF PC BOARD
 SINGLE-SIDE = 1.6 MM (MIN.)
 BELLY TO BELLY = 2.2MM (MIN.)



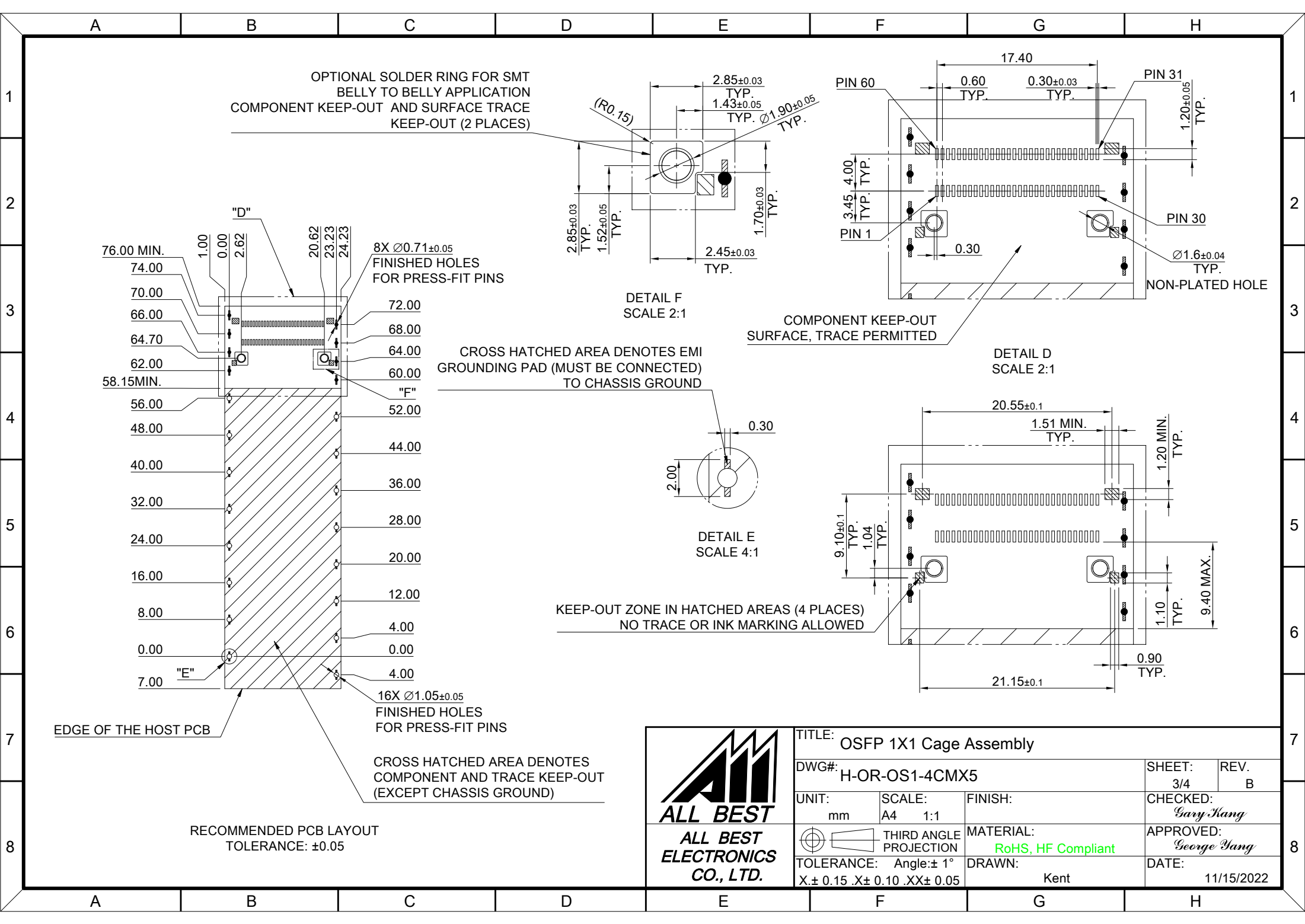
TITLE: OSFP 1X1 Cage Assembly		SHEET: 2/4		REV. B
DWG#: H-OR-OS1-4CMX5		CHECKED: Gary Kang		
UNIT: mm	SCALE: A4 1:1	FINISH:	APPROVED: George Yang	
TOLERANCE: Angle: ± 1°		MATERIAL: RoHS, HF Compliant	DATE: 11/15/2022	
X.± 0.15 .X± 0.10 .XX± 0.05		DRAWN: Kent		

1
2
3
4
5
6
7
8

1
2
3
4
5
6
7
8

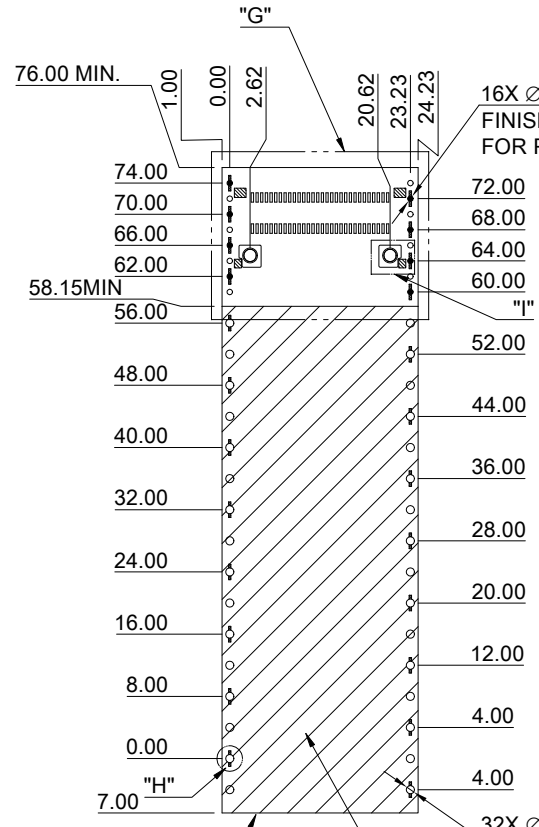
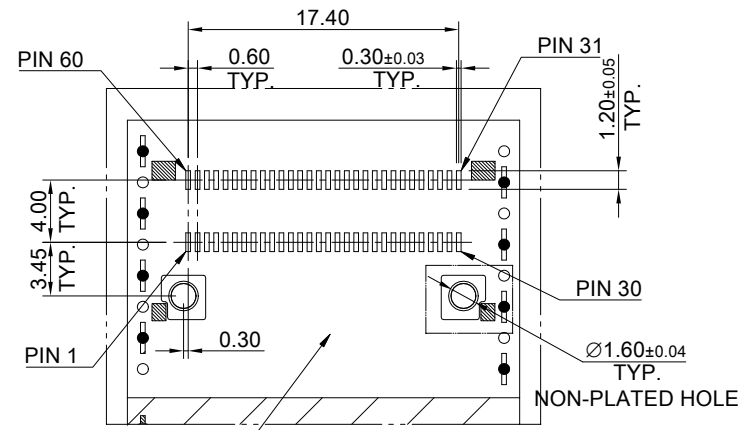
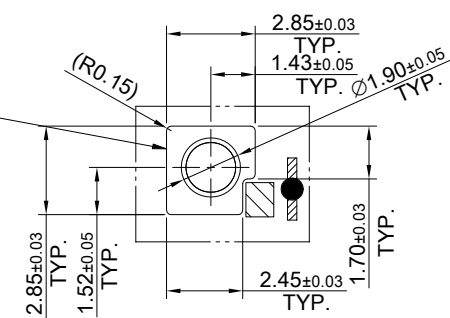
A B C D E F G H

A B C D E F G H

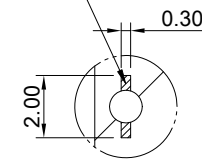


TITLE: OSFP 1X1 Cage Assembly			
DWG#: H-OR-OS1-4CMX5		SHEET: 3/4	REV. B
UNIT: mm	SCALE: A4 1:1	CHECKED: Gary Kang	
TOLERANCE: Angle: $\pm 1^\circ$ X ± 0.15 .X ± 0.10 .XX ± 0.05		MATERIAL: RoHS, HF Compliant	APPROVED: George Yang
DRAWN: Kent		DATE: 11/15/2022	

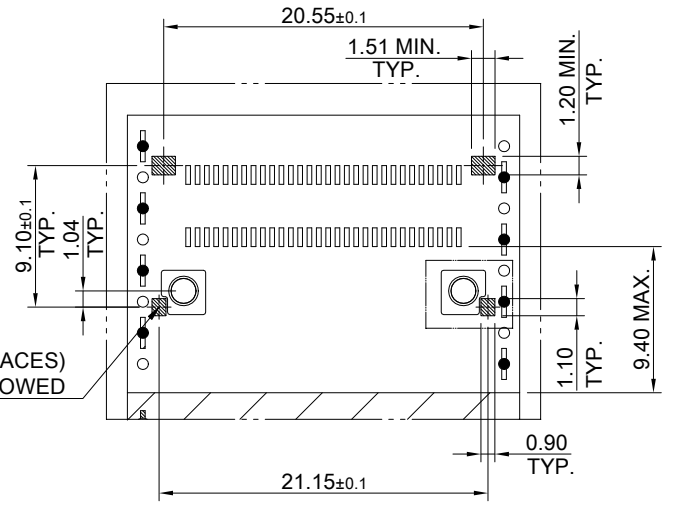
OPTIONAL SOLDER RING FOR SMT BELLY TO BELLY APPLICATION
COMPONENT KEEP-OUT AND SURFACE TRACE KEEP-OUT (2 PLACES)



CROSS HATCHED AREA DENOTES EMI GROUNDING PAD (MUST BE CONNECTED) TO CHASSIS GROUND



KEEP-OUT ZONE IN HATCHED AREAS (4 PLACES)
NO TRACE OR INK MARKING ALLOWED



EDGE OF THE HOST PCB

CROSS HATCHED AREA DENOTES COMPONENT AND TRACE KEEP-OUT (EXCEPT CHASSIS GROUND)

RECOMMENDED PCB LAYOUT
TOLERANCE: ±0.05



TITLE: OSFP 1X1 Cage Assembly			
DWG#: H-OR-OS1-4CMX5		SHEET: 4/4	REV. B
UNIT: mm	SCALE: A4 1:1	CHECKED: Gary Kang	
THIRD ANGLE PROJECTION		APPROVED: George Yang	
TOLERANCE: Angle: ± 1°		DATE: 11/15/2022	
X.± 0.15 .X± 0.10 .XX± 0.05		DRAWN: Kent	