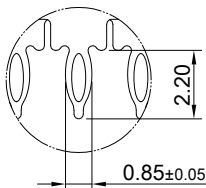
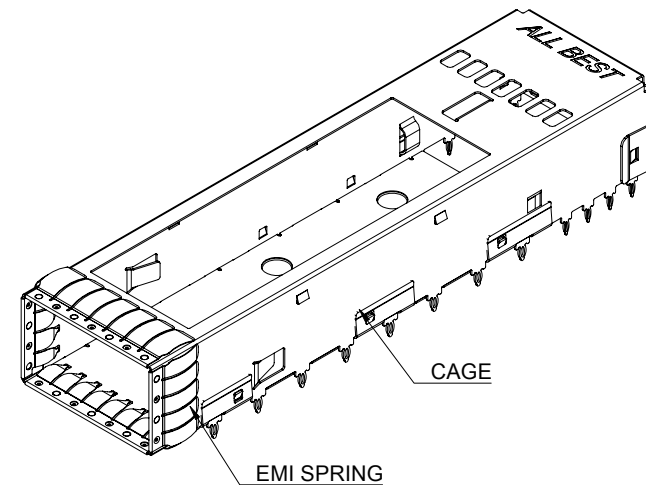
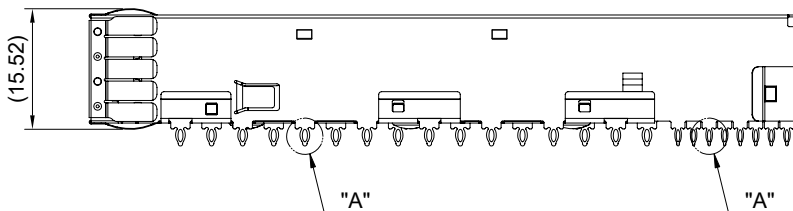
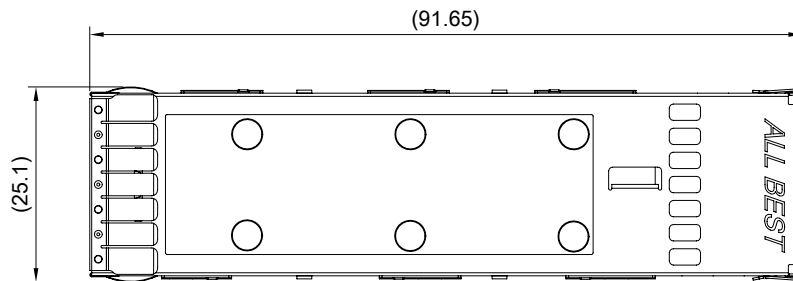
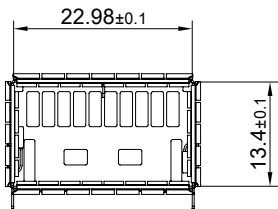



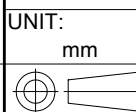
DETAIL A
SCALE 4:1



DETAIL B
SCALE 4:1



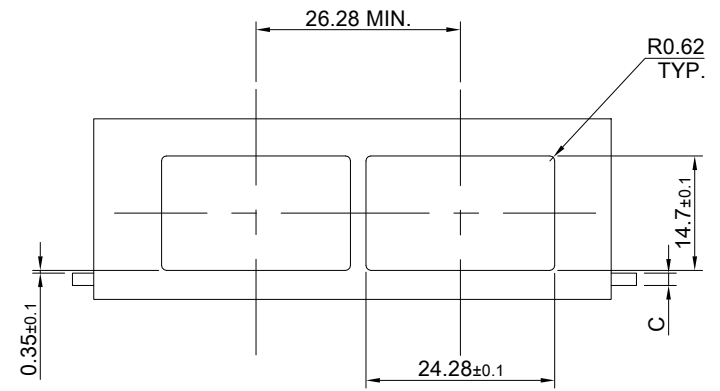
MATERIAL
CAGE: NICKEL SILVER
EMI SPRING: STAINLESS STEEL

 ALL BEST ALL BEST ELECTRONICS CO., LTD.	TITLE: OSFP 1X1 Cage Assembly		SHEET:	REV.
	DWG#: H-OR-OS1-4CMX2		1/4	B
	UNIT: mm	SCALE: A4 1:1	CHECKED: <i>Gary Kang</i>	
	 THIRD ANGLE PROJECTION TOLERANCE: Angle: ± 1° X.± 0.25 .X± 0.20 .XX± 0.15		MATERIAL: RoHS, HF Compliant	APPROVED: <i>George Yang</i>
DRAWN: Kent			DATE: 11/15/2022	

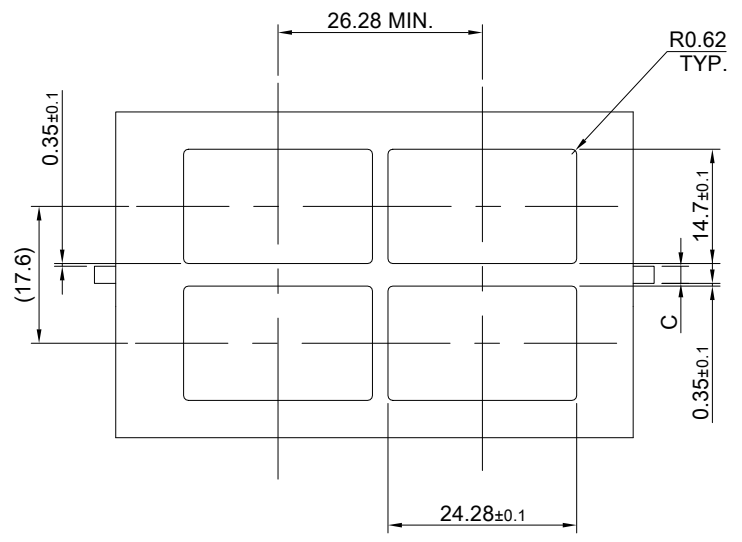
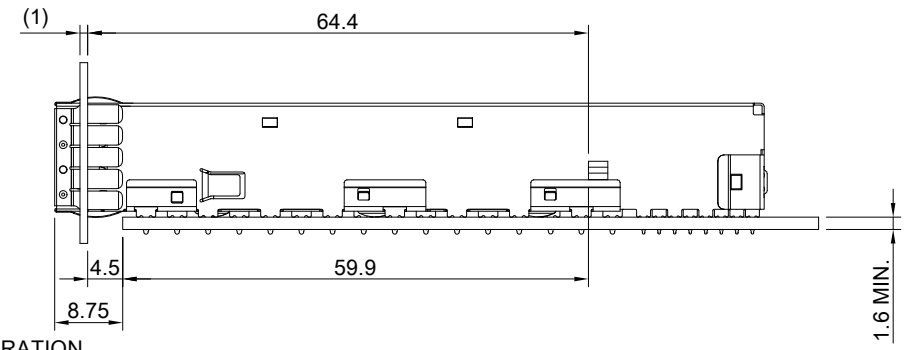
A B C D E F G H

1
2
3
4
5
6
7
8

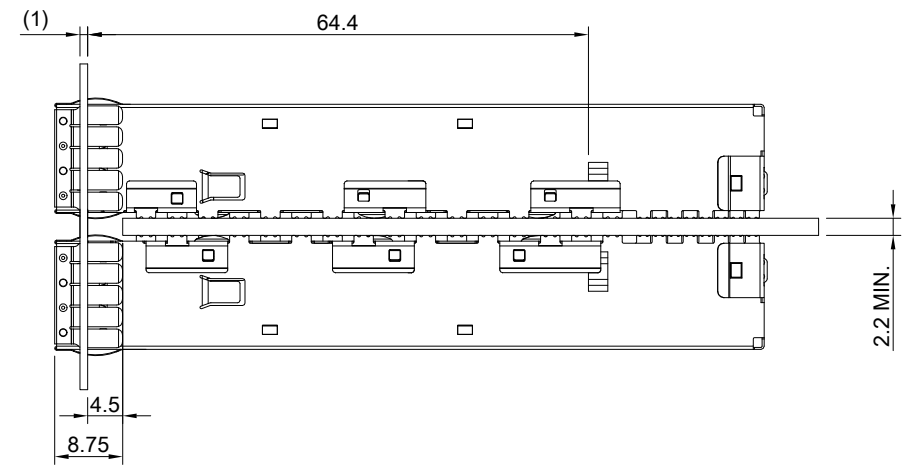
1
2
3
4
5
6
7
8



SINGLE-SIDE CONFIGURATION



BELLY TO BELLY CONFIGURATION

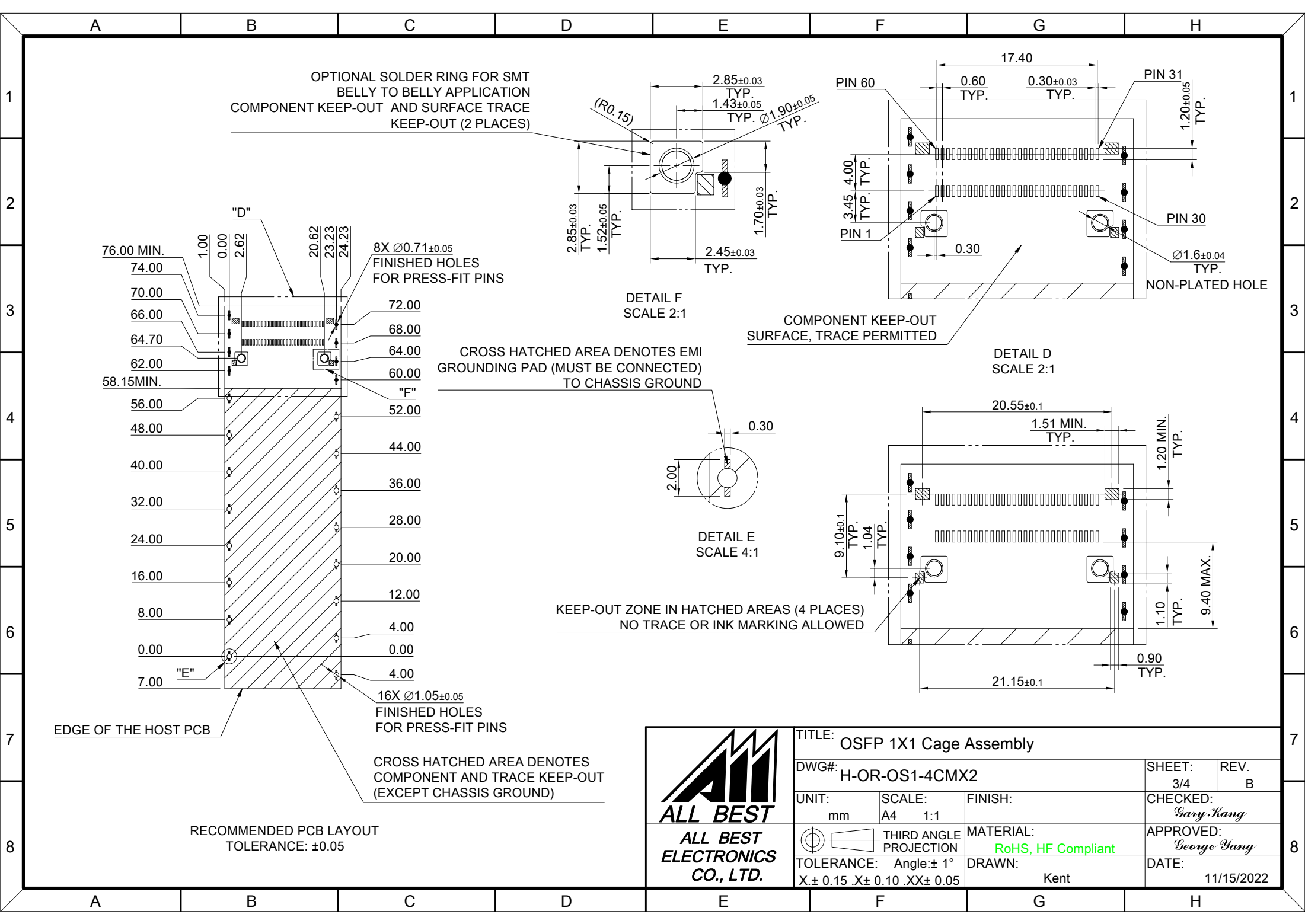


C = THICKNESS OF PC BOARD
 SINGLE-SIDE = 1.6 MM (MIN.)
 BELLY TO BELLY = 2.2MM (MIN.)



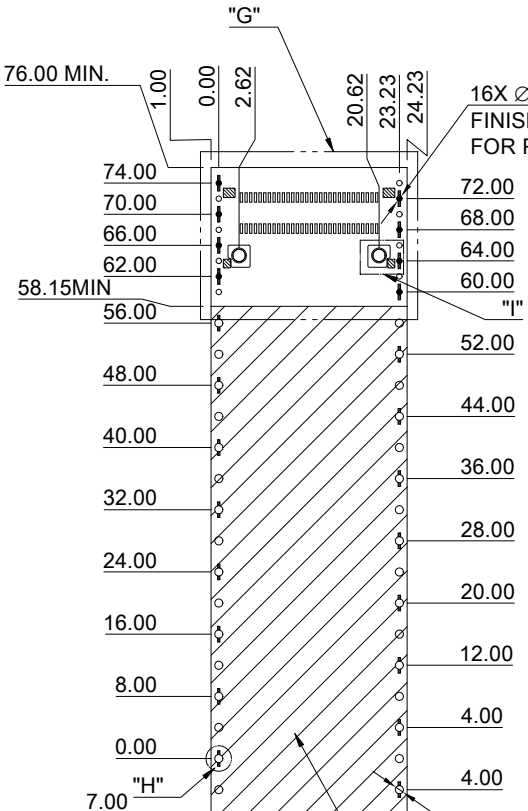
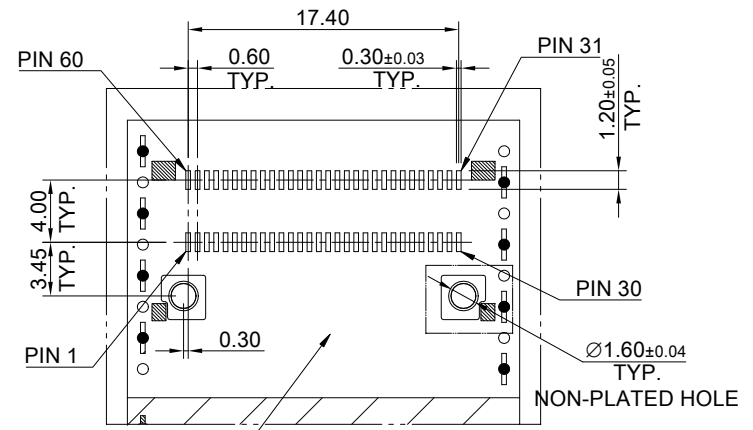
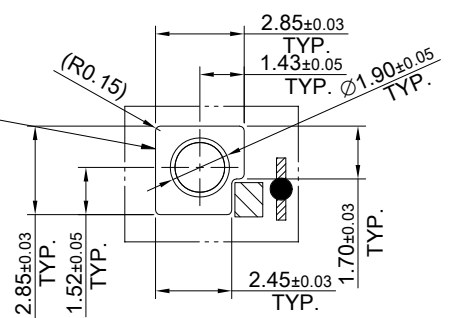
TITLE: OSFP 1X1 Cage Assembly		SHEET: 2/4	REV. B
DWG#: H-OR-OS1-4CMX2		CHECKED: Gary Kang	
UNIT: mm	SCALE: A4 1:1	APPROVED: George Yang	
THIRD ANGLE PROJECTION		MATERIAL: RoHS, HF Compliant	
TOLERANCE: Angle: ± 1°		DRAWN: Kent	DATE: 11/15/2022
X ± 0.15 .X ± 0.10 .XX ± 0.05			

A B C D E F G H

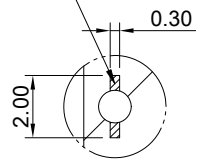


TITLE: OSFP 1X1 Cage Assembly			
DWG#: H-OR-OS1-4CMX2		SHEET: 3/4	REV. B
UNIT: mm	SCALE: A4 1:1	CHECKED: Gary Kang	
THIRD ANGLE PROJECTION		APPROVED: George Yang	
TOLERANCE: Angle: ± 1°		DATE: 11/15/2022	
X.± 0.15 .X± 0.10 .XX± 0.05		DRAWN: Kent	

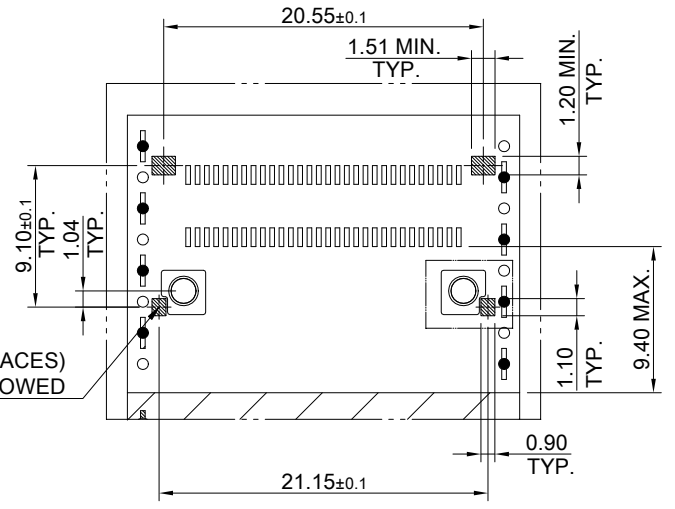
OPTIONAL SOLDER RING FOR SMT BELLY TO BELLY APPLICATION
COMPONENT KEEP-OUT AND SURFACE TRACE KEEP-OUT (2 PLACES)



CROSS HATCHED AREA DENOTES EMI GROUNDING PAD (MUST BE CONNECTED TO CHASSIS GROUND)



KEEP-OUT ZONE IN HATCHED AREAS (4 PLACES)
NO TRACE OR INK MARKING ALLOWED



CROSS HATCHED AREA DENOTES COMPONENT AND TRACE KEEP-OUT (EXCEPT CHASSIS GROUND)

EDGE OF THE HOST PCB

32X Ø1.05±0.05 FINISHED HOLES FOR PRESS-FIT PINS

RECOMMENDED PCB LAYOUT
TOLERANCE: ±0.05

	TITLE: OSFP 1X1 Cage Assembly		SHEET: 4/4	REV. B
	DWG#: H-OR-OS1-4CMX2		CHECKED: Gary Kang	
	UNIT: mm	SCALE: A4 1:1	APPROVED: George Yang	
	TOLERANCE: X± 0.15 .X± 0.10 .XX± 0.05		MATERIAL: RoHS, HF Compliant	DATE: 11/15/2022
		FINISH:	DRAWN: Kent	
		THIRD ANGLE PROJECTION	Angle: ± 1°	