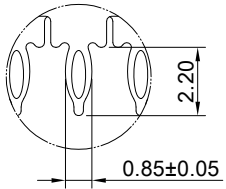
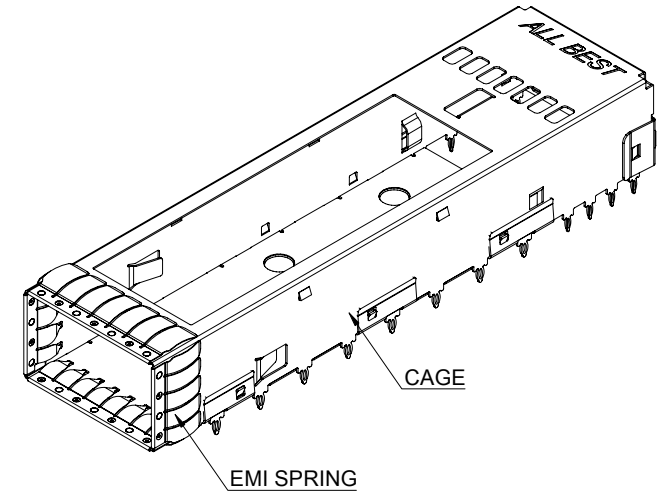
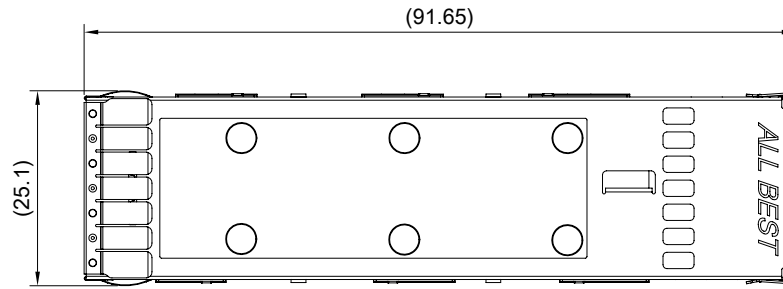


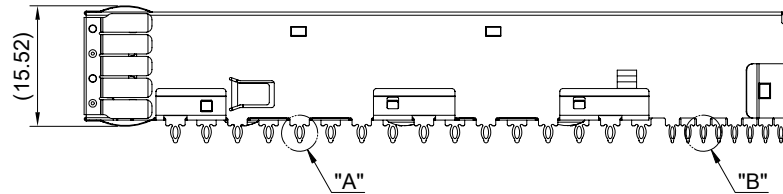
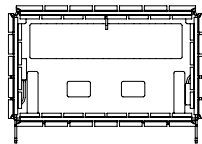
DETAIL A  
SCALE 4:1



DETAIL B  
SCALE 4:1



MATERIAL  
CAGE: NICKEL SILVER  
EMI SPRING: STAINLESS STEEL



THIS PRINT IS  
**PRELIMINARY**  
UNQUALIFIED PRODUCT  
CONTACT PRODUCT ENGINEERING  
BEFORE USING THIS PRINT

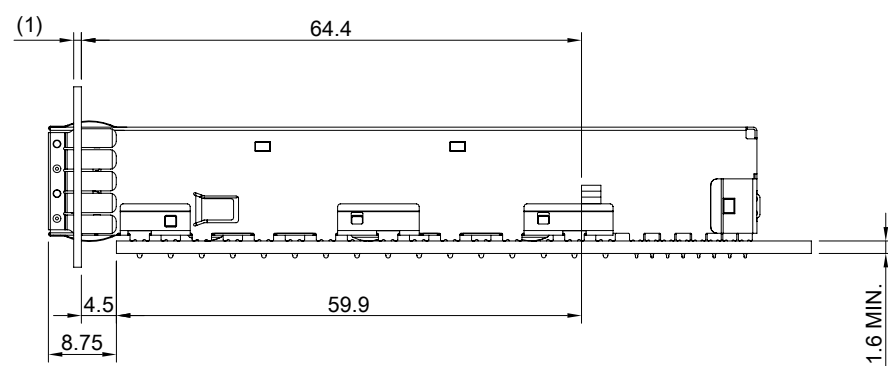
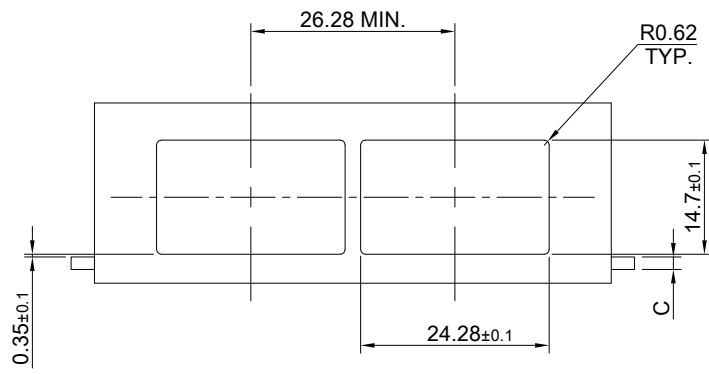


|   |               |                              |                  |
|---|---------------|------------------------------|------------------|
| TITLE: OSFP 1600 1X1 Cage Assembly                      |               |                              |                  |
| DWG#: H-OR-QOS1-4CMX6                                   |               | SHEET: 1/4                   | REV. REF.        |
| UNIT: mm  | SCALE: A4 1:1 | FINISH:                      | CHECKED:         |
| TOLERANCE: Angle: ± 1°<br>X ± 0.25 .X ± 0.20 .XX ± 0.15 |               | MATERIAL: RoHS, HF Compliant | APPROVED:        |
| THIRD ANGLE PROJECTION                                  |               | DRAWN: Jason Zhao            | DATE: 03/25/2024 |

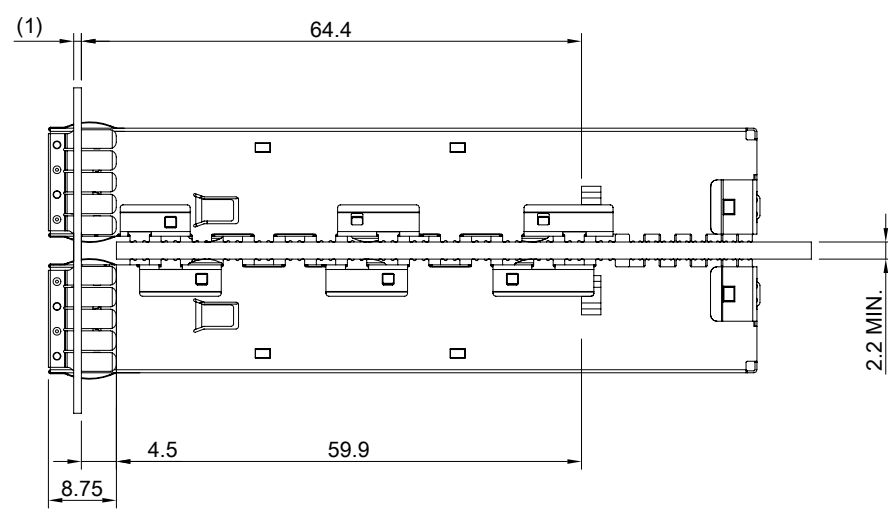
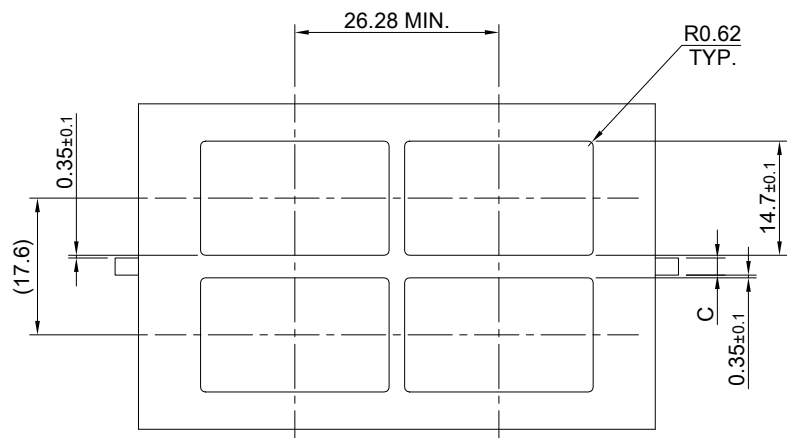
A B C D E F G H

1  
2  
3  
4  
5  
6  
7  
8

1  
2  
3  
4  
5  
6  
7  
8



SINGLE-SIDE CONFIGURATION



BELLY TO BELLY CONFIGURATION

C = THICKNESS OF PC BOARD  
 SINGLE-SIDE = 1.6 MM (MIN.)  
 BELLY TO BELLY = 2.2MM (MIN.)

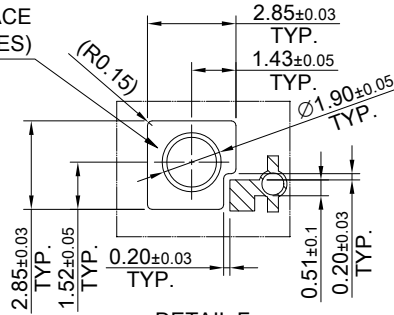
THIS PRINT IS  
**PRELIMINARY**  
 UNQUALIFIED PRODUCT  
 CONTACT PRODUCT ENGINEERING  
 BEFORE USING THIS PRINT



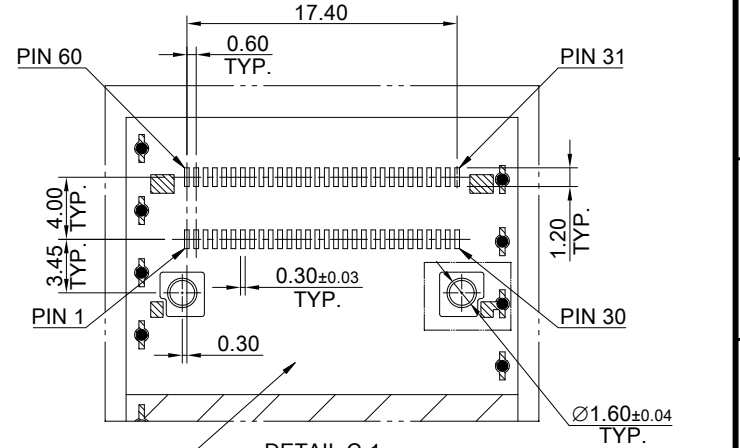
|   |               |                              |                  |
|---|---------------|------------------------------|------------------|
| TITLE: OSFP 1600 1X1 Cage Assembly  |               |                              |                  |
| DWG#: H-OR-QOS1-4CMX6   |               | SHEET: 2/4                   | REV. REF.        |
| UNIT: mm  | SCALE: A4 1:1 | CHECKED:                     |                  |
| THIRD ANGLE PROJECTION<br>TOLERANCE: Angle: ± 1°<br>X ± 0.15 .X ± 0.10 .XX ± 0.05 |               | MATERIAL: RoHS, HF Compliant | APPROVED:        |
| DRAWN: Jason Zhao   |               |                              | DATE: 03/25/2024 |

A B C D E F G H

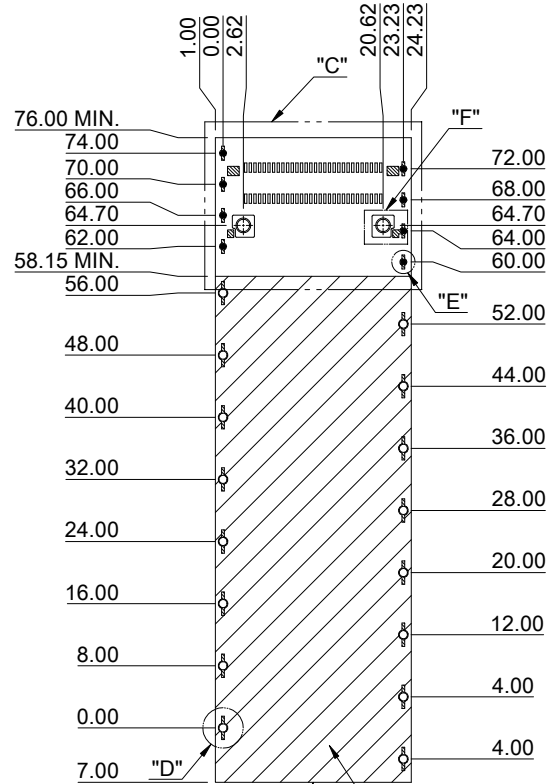
OPTIONAL SOLDER RING FOR SMT  
BELLY TO BELLY APPLICATION  
COMPONENT KEEP-OUT AND SURFACE TRACE  
KEEP-OUT (2 PLACES)



DETAIL F  
SCALE 4:1



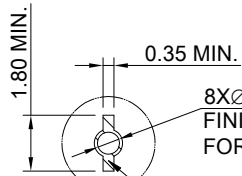
DETAIL C-1  
SCALE 2:1



EDGE OF THE HOST PCB

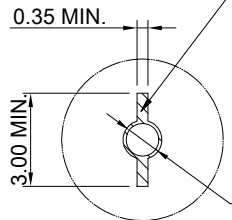
CROSS HATCHED AREA DENOTES  
COMPONENT AND TRACE KEEP-OUT  
(EXCEPT CHASSIS GROUND)

RECOMMENDED PCB LAYOUT  
TOLERANCE:  $\pm 0.05$



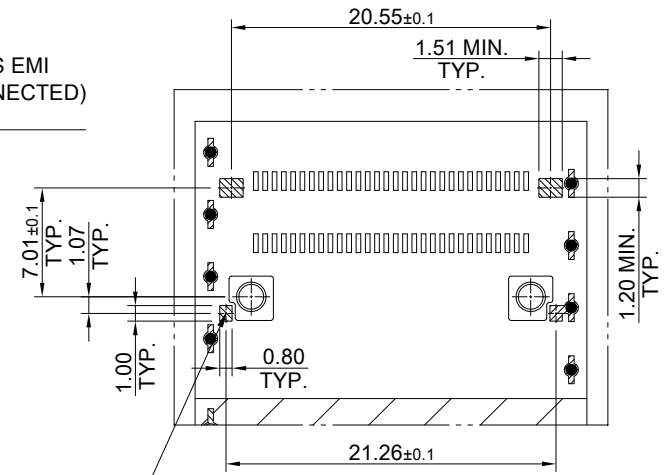
DETAIL E  
SCALE 4:1

CROSS HATCHED AREA DENOTES EMI  
GROUNDING PAD (MUST BE CONNECTED)  
TO CHASSIS GROUND



DETAIL D  
SCALE 4:1

KEEP-OUT ZONE IN HATCHED AREAS (4 PLACES)  
NO TRACE OR INK MARKING ALLOWED



DETAIL C-2  
SCALE 2:1

THIS PRINT IS  
**PRELIMINARY**  
UNQUALIFIED PRODUCT  
CONTACT PRODUCT ENGINEERING  
BEFORE USING THIS PRINT



TITLE: OSFP 1600 1X1 Cage Assembly

DWG#: H-OR-QOS1-4CMX6

SHEET: 3/4  
REV. REF.

UNIT: mm  
SCALE: A4 1:1

FINISH: CHECKED:

THIRD ANGLE PROJECTION

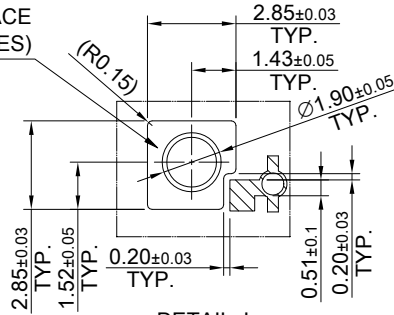
MATERIAL: RoHS, HF Compliant

TOLERANCE: Angle:  $\pm 1^\circ$   
X:  $\pm 0.15$  .X:  $\pm 0.10$  .XX:  $\pm 0.05$

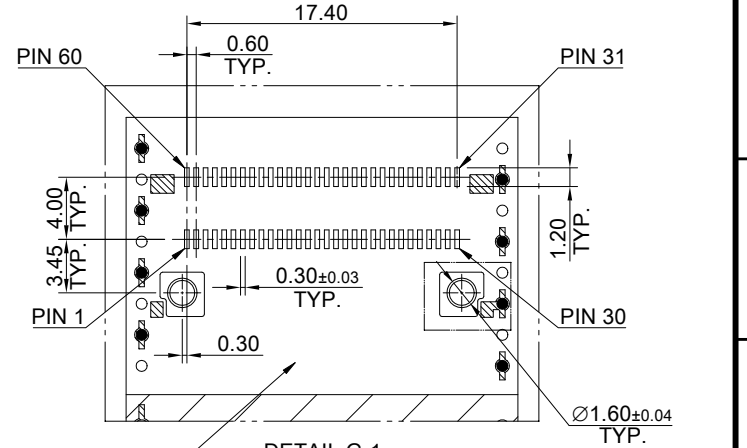
DRAWN: Jason Zhao

APPROVED: DATE: 03/25/2024

OPTIONAL SOLDER RING FOR SMT  
BELLY TO BELLY APPLICATION  
COMPONENT KEEP-OUT AND SURFACE TRACE  
KEEP-OUT (2 PLACES)



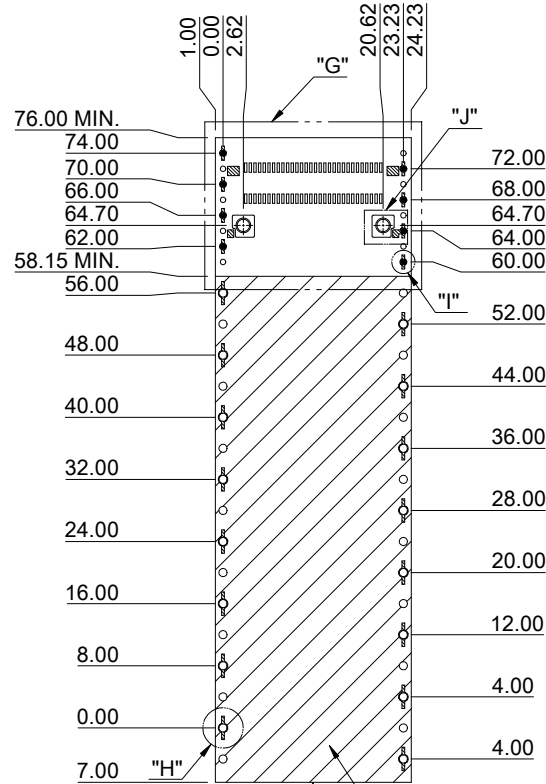
DETAIL J  
SCALE 4:1



DETAIL G-1  
SCALE 2:1

NON-PLATED HOLE

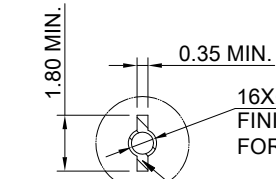
COMPONENT KEEP-OUT  
SURFACE, TRACE PERMITTED



EDGE OF THE HOST PCB

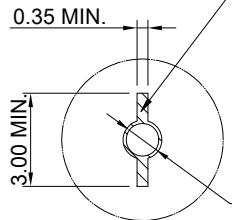
CROSS HATCHED AREA DENOTES  
COMPONENT AND TRACE KEEP-OUT  
(EXCEPT CHASSIS GROUND)

RECOMMENDED PCB LAYOUT  
TOLERANCE:  $\pm 0.05$



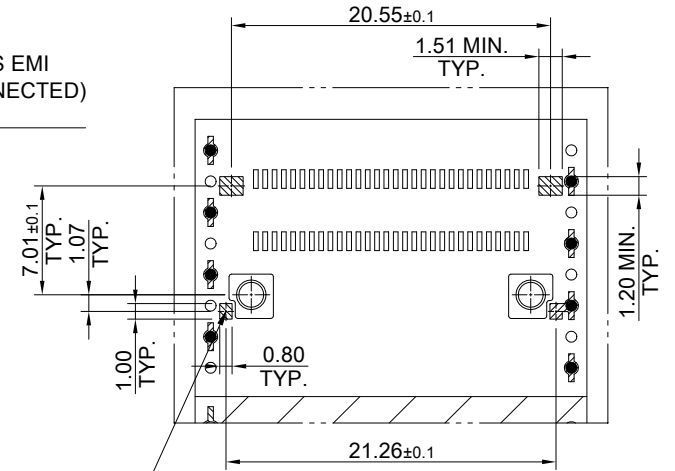
DETAIL I  
SCALE 4:1

CROSS HATCHED AREA DENOTES EMI  
GROUNDING PAD (MUST BE CONNECTED)  
TO CHASSIS GROUND



DETAIL H  
SCALE 4:1

KEEP-OUT ZONE IN HATCHED AREAS (4 PLACES)  
NO TRACE OR INK MARKING ALLOWED



DETAIL G-2  
SCALE 2:1

THIS PRINT IS  
**PRELIMINARY**  
UNQUALIFIED PRODUCT  
CONTACT PRODUCT ENGINEERING  
BEFORE USING THIS PRINT



TITLE: OSFP 1600 1X1 Cage Assembly

DWG#: H-OR-QOS1-4CMX6

SHEET: 4/4  
REV. REF.

UNIT: mm  
SCALE: A4 1:1

FINISH: CHECKED:

THIRD ANGLE PROJECTION

MATERIAL: RoHS, HF Compliant

TOLERANCE: Angle:  $\pm 1^\circ$   
X:  $\pm 0.15$  .X:  $\pm 0.10$  .XX:  $\pm 0.05$

DRAWN: Jason Zhao  
DATE: 03/25/2024