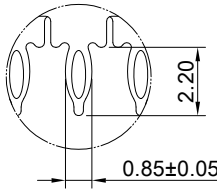
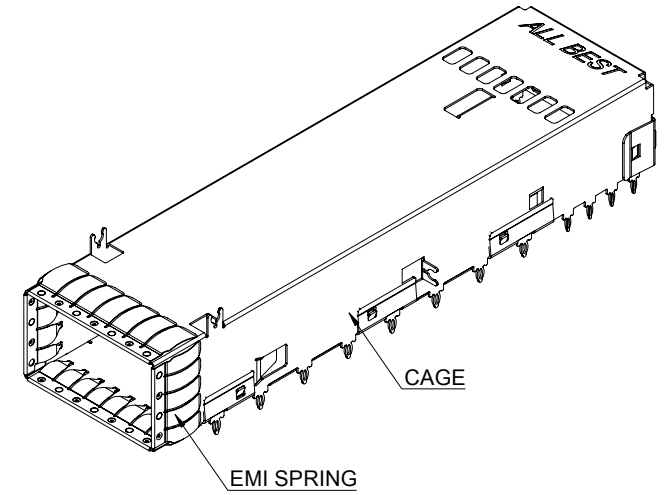
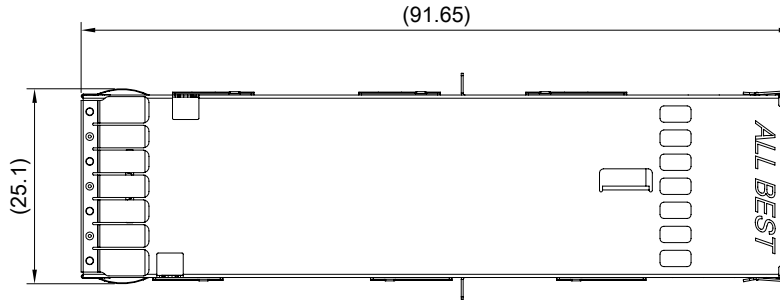


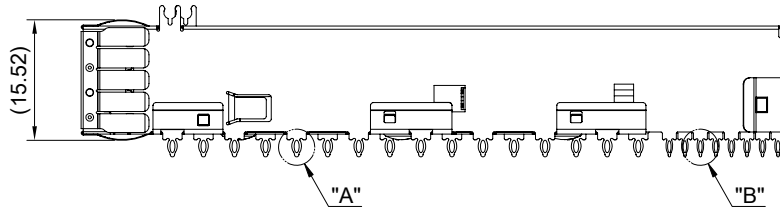
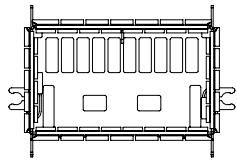
DETAIL A  
SCALE 4:1



DETAIL B  
SCALE 4:1



MATERIAL  
CAGE: NICKEL SILVER  
EMI SPRING: STAINLESS STEEL



THIS PRINT IS  
**PRELIMINARY**  
UNQUALIFIED PRODUCT  
CONTACT PRODUCT ENGINEERING  
BEFORE USING THIS PRINT

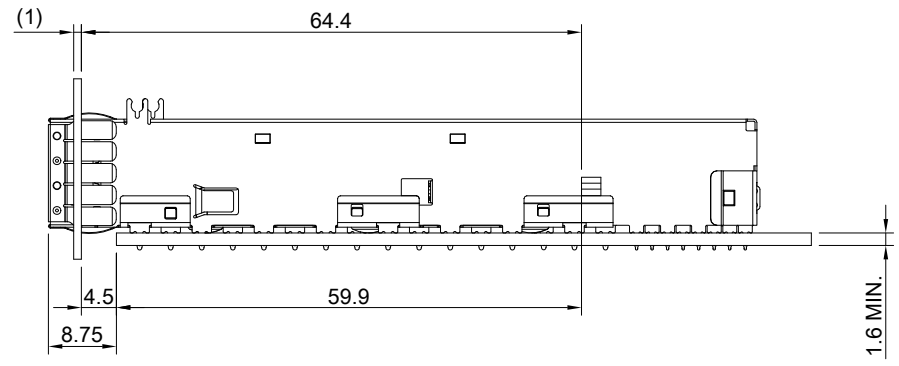
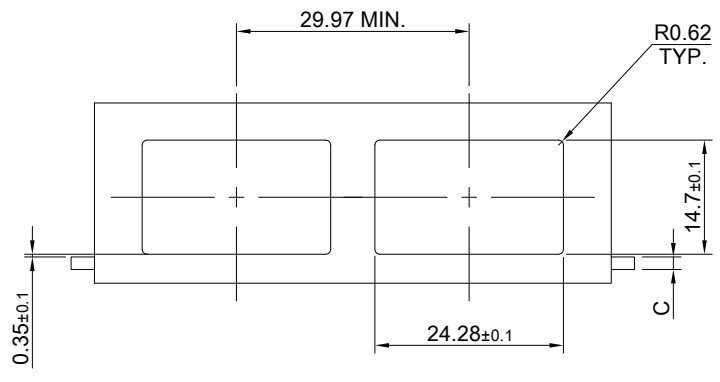


TITLE: OSFP 1600 1X1 Cage Assembly			
DWG#: H-OR-QOS1-4CMX3		SHEET: 1/4	REV. REF.
UNIT: mm	SCALE: A4 1:1	FINISH:	CHECKED:
TOLERANCE: Angle: ± 1° X.± 0.25 .X± 0.20 .XX± 0.15		MATERIAL: RoHS, HF Compliant	APPROVED:
THIRD ANGLE PROJECTION		DRAWN: Jason Zhao	DATE: 03/25/2024

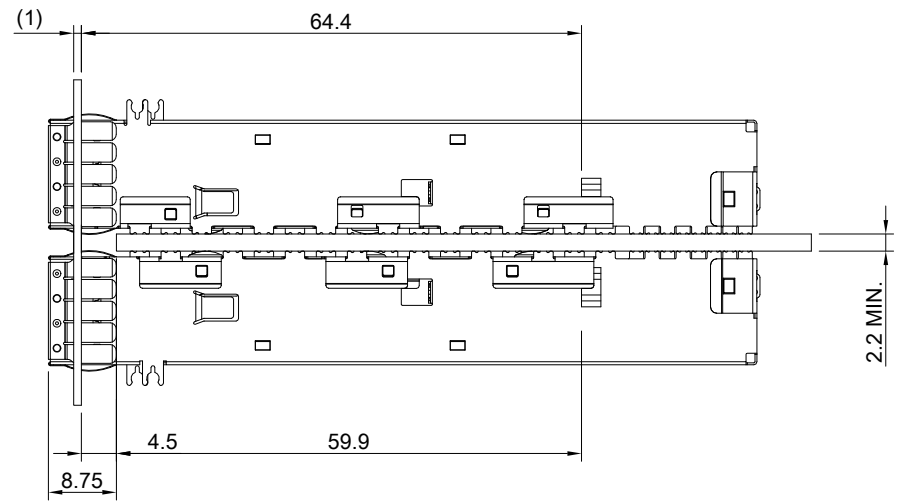
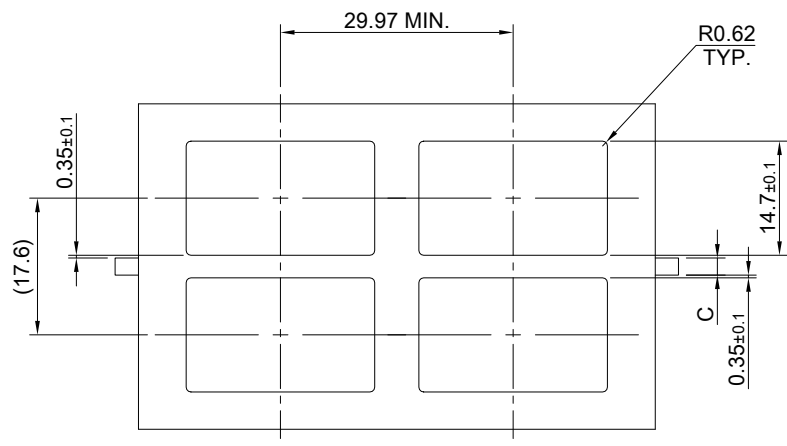
A B C D E F G H

1  
2  
3  
4  
5  
6  
7  
8

1  
2  
3  
4  
5  
6  
7  
8



SINGLE-SIDE CONFIGURATION



BELLY TO BELLY CONFIGURATION

C = THICKNESS OF PC BOARD  
 SINGLE-SIDE = 1.6 MM (MIN.)  
 BELLY TO BELLY = 2.2MM (MIN.)

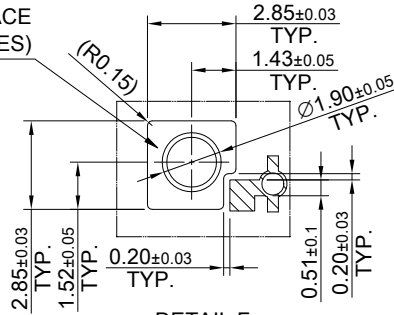
THIS PRINT IS  
**PRELIMINARY**  
 UNQUALIFIED PRODUCT  
 CONTACT PRODUCT ENGINEERING  
 BEFORE USING THIS PRINT



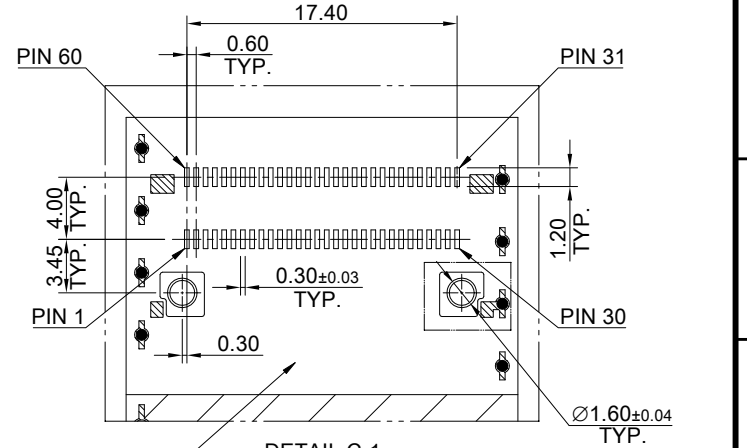
TITLE: OSFP 1600 1X1 Cage Assembly		SHEET: 2/4	REV. REF.
DWG#: H-OR-QOS1-4CMX3		CHECKED:	
UNIT: mm	SCALE: A4 1:1	APPROVED:	
TOLERANCE: Angle: ± 1° X ± 0.15 .X ± 0.10 .XX ± 0.05		MATERIAL: RoHS, HF Compliant	DATE: 03/25/2024
THIRD ANGLE PROJECTION		DRAWN: Jason Zhao	

A B C D E F G H

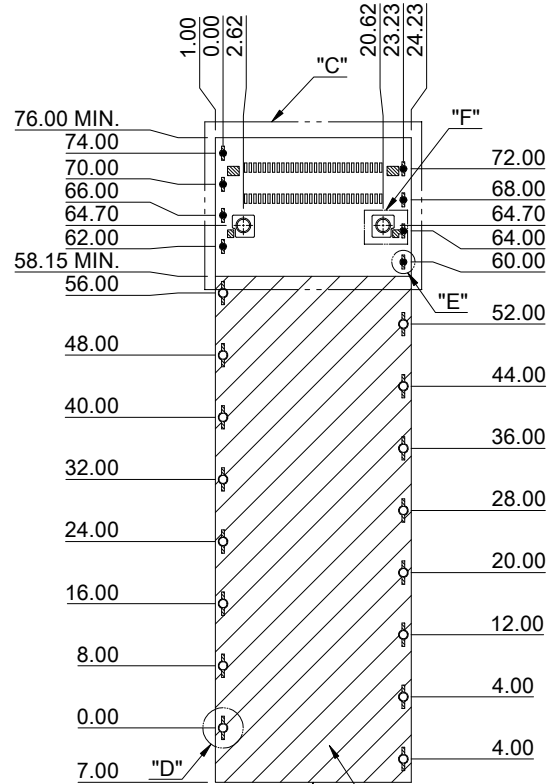
OPTIONAL SOLDER RING FOR SMT  
BELLY TO BELLY APPLICATION  
COMPONENT KEEP-OUT AND SURFACE TRACE  
KEEP-OUT (2 PLACES)



DETAIL F  
SCALE 4:1



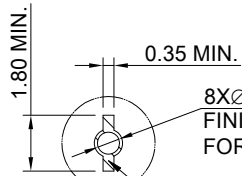
DETAIL C-1  
SCALE 2:1



EDGE OF THE HOST PCB

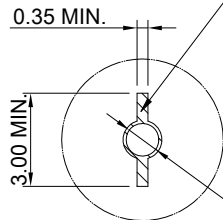
CROSS HATCHED AREA DENOTES  
COMPONENT AND TRACE KEEP-OUT  
(EXCEPT CHASSIS GROUND)

RECOMMENDED PCB LAYOUT  
TOLERANCE:  $\pm 0.05$



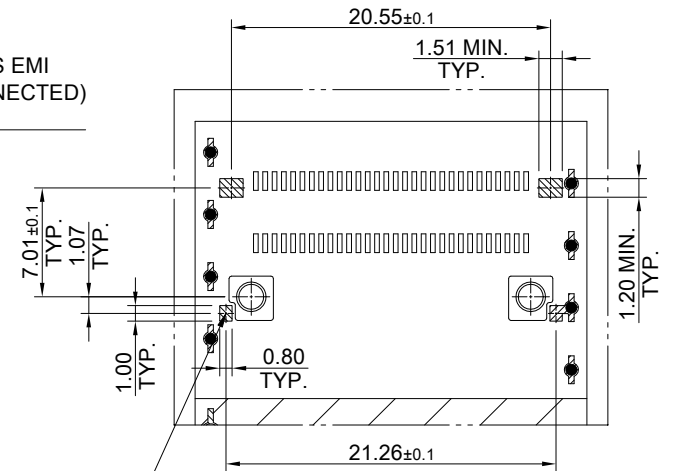
DETAIL E  
SCALE 4:1

CROSS HATCHED AREA DENOTES EMI  
GROUNDING PAD (MUST BE CONNECTED)  
TO CHASSIS GROUND



DETAIL D  
SCALE 4:1

KEEP-OUT ZONE IN HATCHED AREAS (4 PLACES)  
NO TRACE OR INK MARKING ALLOWED



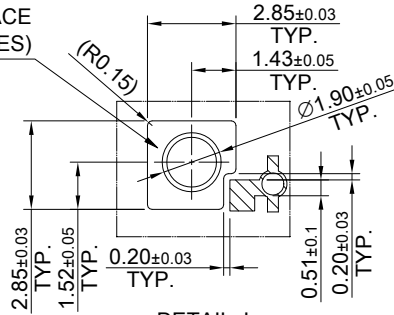
DETAIL C-2  
SCALE 2:1

THIS PRINT IS  
**PRELIMINARY**  
UNQUALIFIED PRODUCT  
CONTACT PRODUCT ENGINEERING  
BEFORE USING THIS PRINT

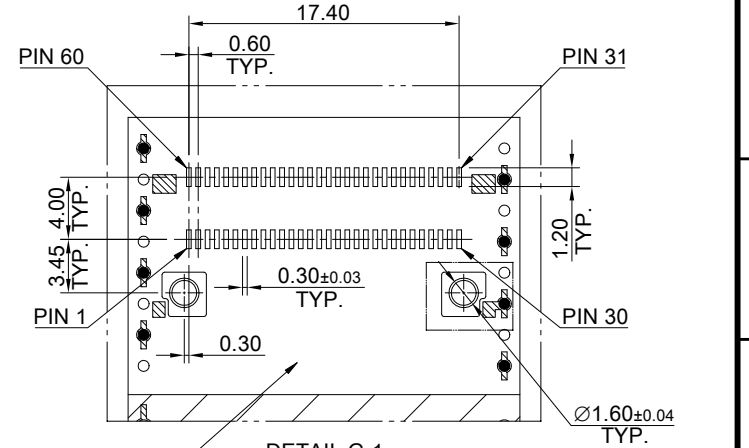


TITLE: OSFP 1600 1X1 Cage Assembly			
DWG#: H-OR-QOS1-4CMX3		SHEET: 3/4	REV. REF.
UNIT: mm	SCALE: A4 1:1	CHECKED:	
THIRD ANGLE PROJECTION		APPROVED:	
TOLERANCE: Angle: $\pm 1^\circ$		MATERIAL: RoHS, HF Compliant	DATE: 03/25/2024
X. $\pm 0.15$ .X $\pm 0.10$ .XX $\pm 0.05$		DRAWN: Jason Zhao	

OPTIONAL SOLDER RING FOR SMT  
BELLY TO BELLY APPLICATION  
COMPONENT KEEP-OUT AND SURFACE TRACE  
KEEP-OUT (2 PLACES)



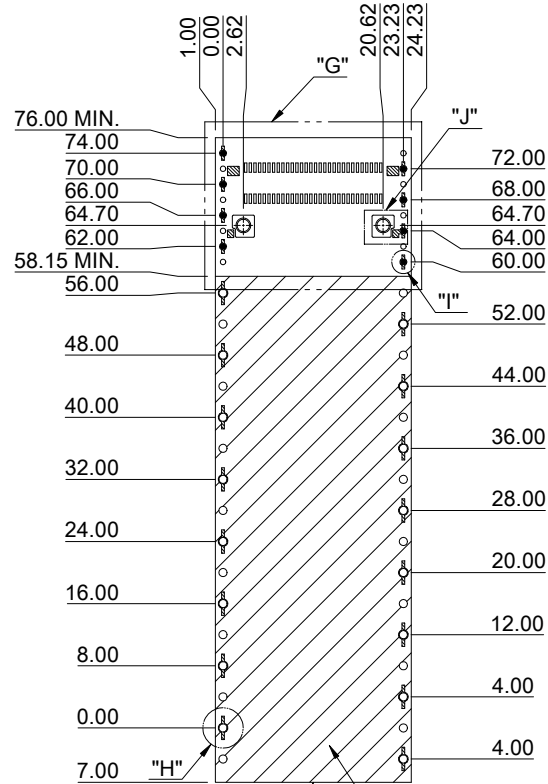
DETAIL J  
SCALE 4:1



DETAIL G-1  
SCALE 2:1

NON-PLATED HOLE

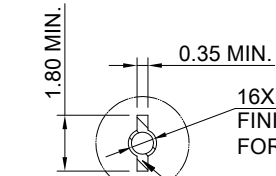
COMPONENT KEEP-OUT  
SURFACE, TRACE PERMITTED



EDGE OF THE HOST PCB

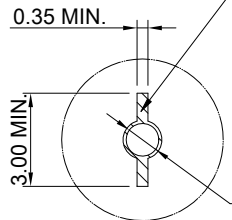
CROSS HATCHED AREA DENOTES  
COMPONENT AND TRACE KEEP-OUT  
(EXCEPT CHASSIS GROUND)

RECOMMENDED PCB LAYOUT  
TOLERANCE:  $\pm 0.05$



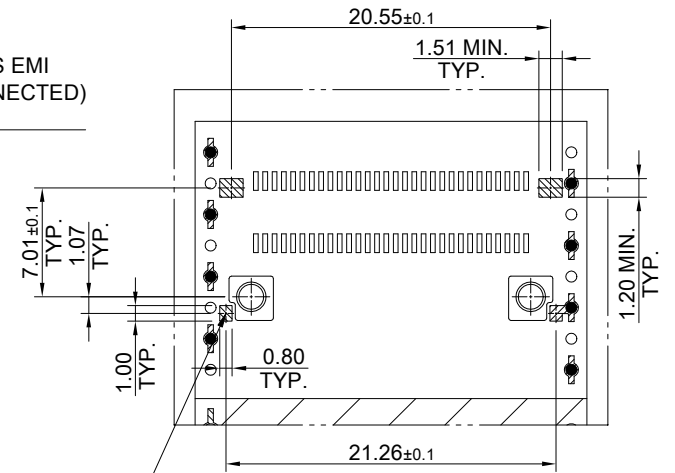
DETAIL I  
SCALE 4:1

CROSS HATCHED AREA DENOTES EMI  
GROUNDING PAD (MUST BE CONNECTED)  
TO CHASSIS GROUND



DETAIL H  
SCALE 4:1

KEEP-OUT ZONE IN HATCHED AREAS (4 PLACES)  
NO TRACE OR INK MARKING ALLOWED



DETAIL G-2  
SCALE 2:1

THIS PRINT IS  
**PRELIMINARY**  
UNQUALIFIED PRODUCT  
CONTACT PRODUCT ENGINEERING  
BEFORE USING THIS PRINT



TITLE: OSFP 1600 1X1 Cage Assembly

DWG#: H-OR-QOS1-4CMX3

SHEET: 4/4  
REV. REF.

UNIT: mm  
SCALE: A4 1:1

FINISH: CHECKED:

THIRD ANGLE PROJECTION

MATERIAL: RoHS, HF Compliant

TOLERANCE: Angle:  $\pm 1^\circ$   
X:  $\pm 0.15$  .X:  $\pm 0.10$  .XX:  $\pm 0.05$

DRAWN: Jason Zhao

APPROVED: DATE: 03/25/2024