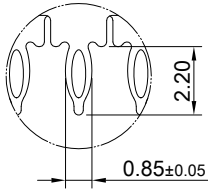
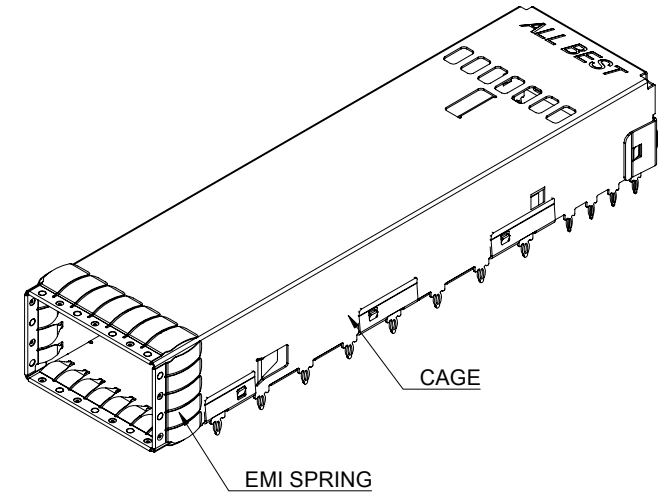
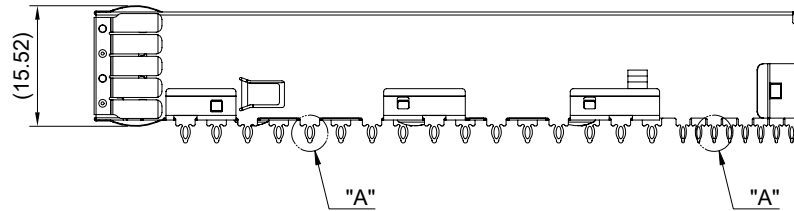
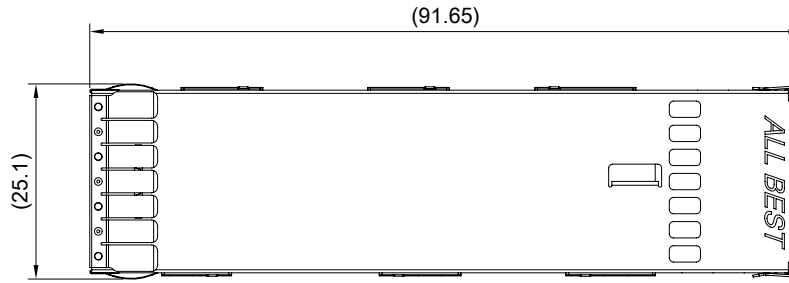
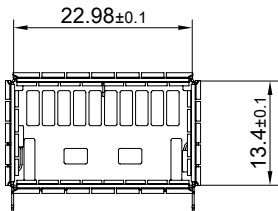


DETAIL A  
SCALE 4:1

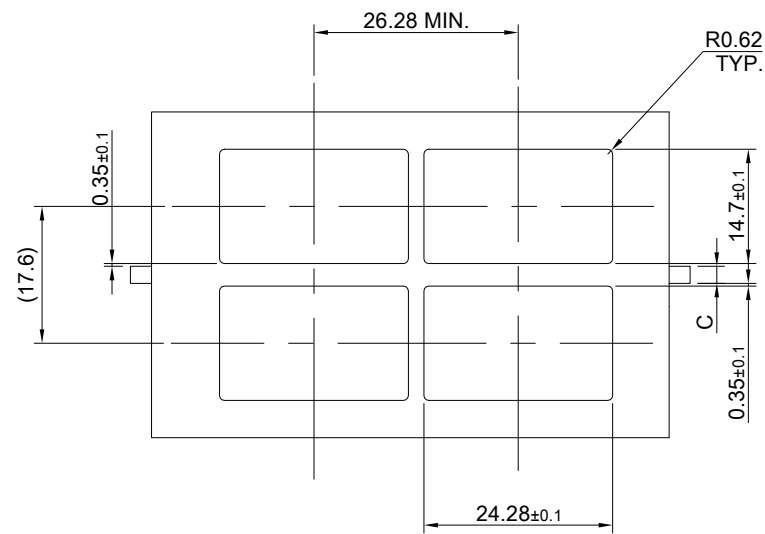
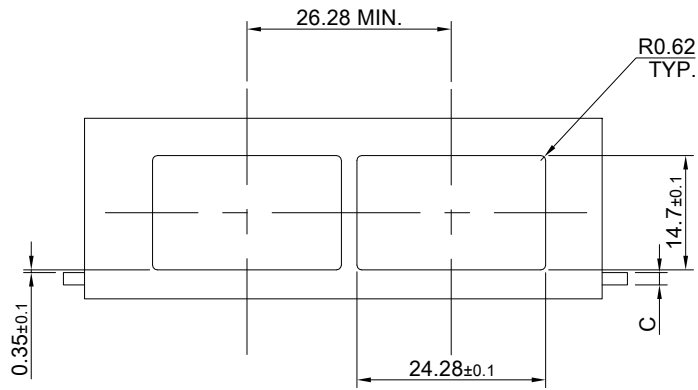


DETAIL B  
SCALE 4:1

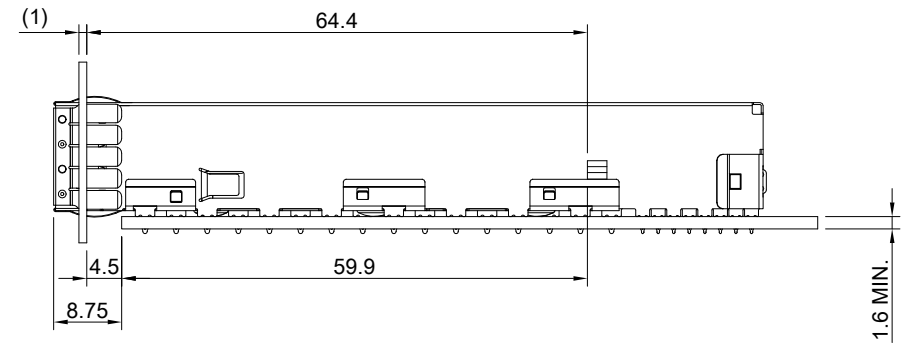


MATERIAL  
CAGE: NICKEL SILVER  
EMI SPRING: STAINLESS STEEL

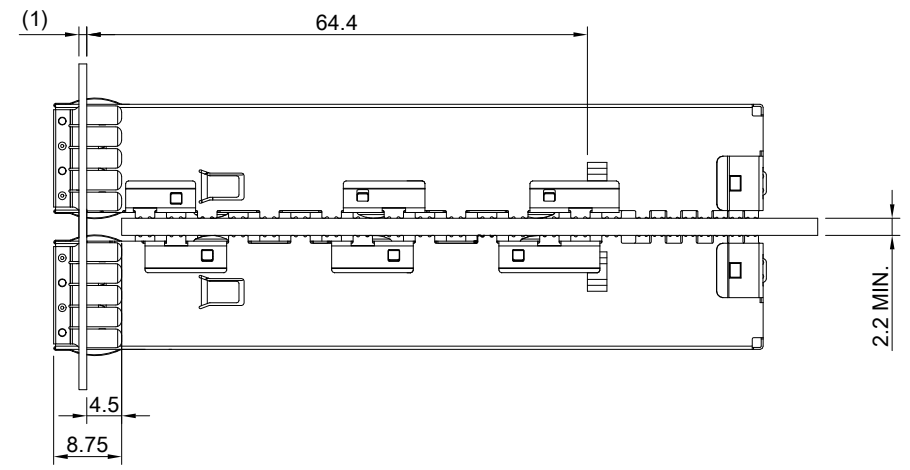
	TITLE: OSFP 1X1 Cage Assembly			SHEET: 1/4		REV. B
	DWG#: H-OR-OS1-4CMX1			CHECKED: Gary Kang		
	UNIT: mm	SCALE: A4 1:1	FINISH:	APPROVED: George Yang		
	THIRD ANGLE PROJECTION		MATERIAL: RoHS, HF Compliant	DATE: 11/15/2022		
	TOLERANCE: Angle: ± 1° X.± 0.25 .X± 0.20 .XX± 0.15			DRAWN: Kent		




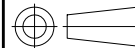
C = THICKNESS OF PC BOARD  
 SINGLE-SIDE = 1.6 MM (MIN.)  
 BELLY TO BELLY = 2.2MM (MIN.)

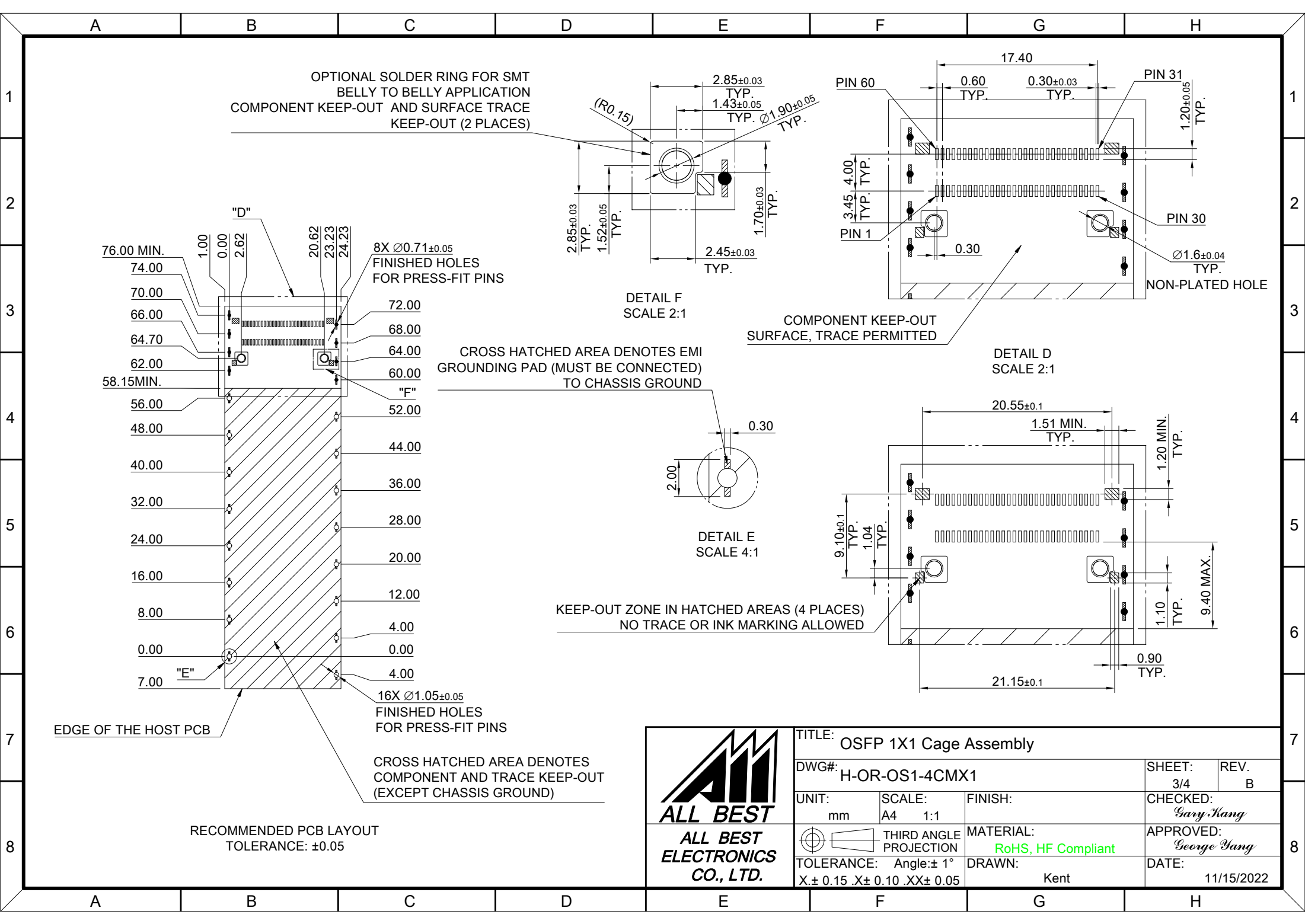


SINGLE-SIDE CONFIGURATION



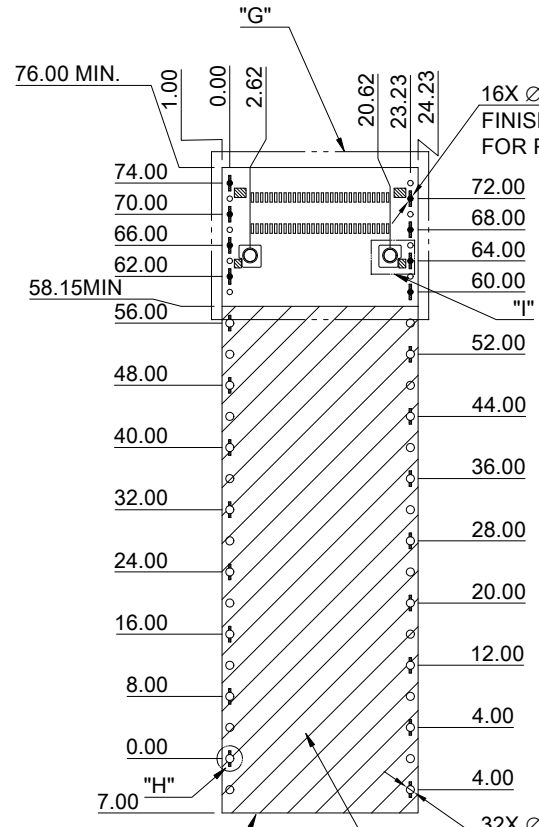
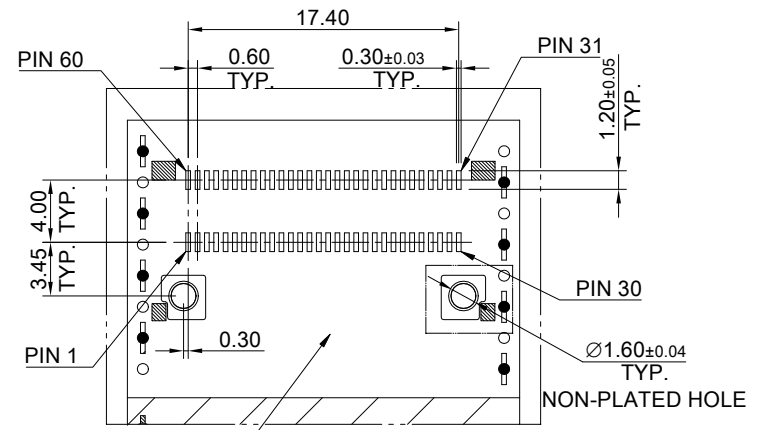
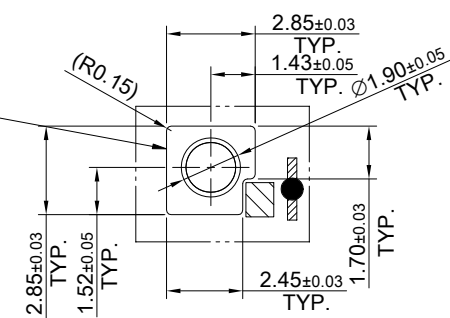
BELLY TO BELLY CONFIGURATION

 <b>ALL BEST</b> <b>ELECTRONICS</b> <b>CO., LTD.</b>	TITLE: OSFP 1X1 Cage Assembly		SHEET:	REV.
	DWG#: H-OR-OS1-4CMX1		2/4	B
	UNIT: mm	SCALE: A4 1:1	FINISH:	CHECKED: <i>Gary Kang</i>
	 THIRD ANGLE PROJECTION TOLERANCE: Angle: ± 1° X ± 0.15 .X ± 0.10 .XX ± 0.05		MATERIAL: RoHS, HF Compliant	APPROVED: <i>George Yang</i>
DRAWN: Kent			DATE: 11/15/2022	

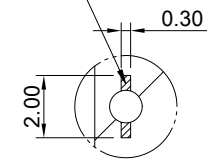


TITLE: OSFP 1X1 Cage Assembly			
DWG#: H-OR-OS1-4CMX1		SHEET: 3/4	REV. B
UNIT: mm	SCALE: A4 1:1	CHECKED: Gary Kang	
THIRD ANGLE PROJECTION		APPROVED: George Yang	
TOLERANCE: Angle: $\pm 1^\circ$		DATE: 11/15/2022	
X. $\pm 0.15$ .X $\pm 0.10$ .XX $\pm 0.05$		DRAWN: Kent	

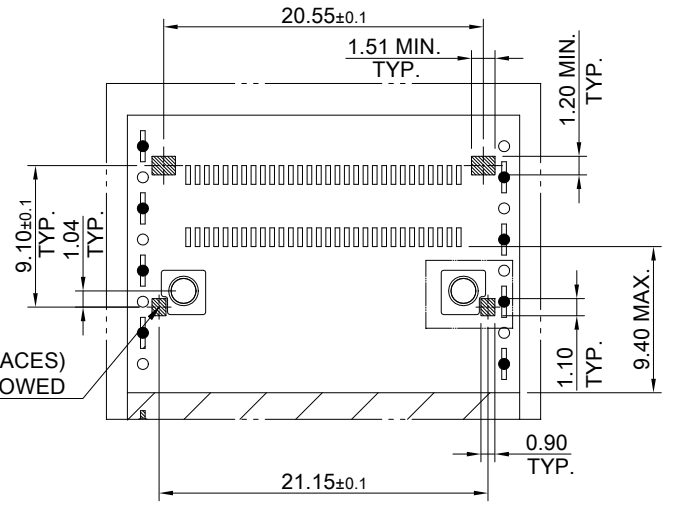
OPTIONAL SOLDER RING FOR SMT BELLY TO BELLY APPLICATION  
COMPONENT KEEP-OUT AND SURFACE TRACE KEEP-OUT (2 PLACES)



CROSS HATCHED AREA DENOTES EMI GROUNDING PAD (MUST BE CONNECTED TO CHASSIS GROUND)



KEEP-OUT ZONE IN HATCHED AREAS (4 PLACES)  
NO TRACE OR INK MARKING ALLOWED



CROSS HATCHED AREA DENOTES COMPONENT AND TRACE KEEP-OUT (EXCEPT CHASSIS GROUND)

EDGE OF THE HOST PCB

32X Ø1.05±0.05 FINISHED HOLES FOR PRESS-FIT PINS

RECOMMENDED PCB LAYOUT  
TOLERANCE: ±0.05

	TITLE: OSFP 1X1 Cage Assembly		SHEET: 4/4	REV. B
	DWG#: H-OR-OS1-4CMX1		CHECKED: Gary Kang	
	UNIT: mm	SCALE: A4 1:1	FINISH:	APPROVED: George Yang
	TOLERANCE: Angle: ± 1° X.± 0.15 .X± 0.10 .XX± 0.05		MATERIAL: RoHS, HF Compliant	DATE: 11/15/2022
		DRAWN: Kent		