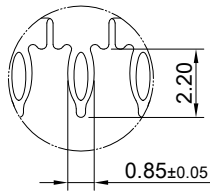
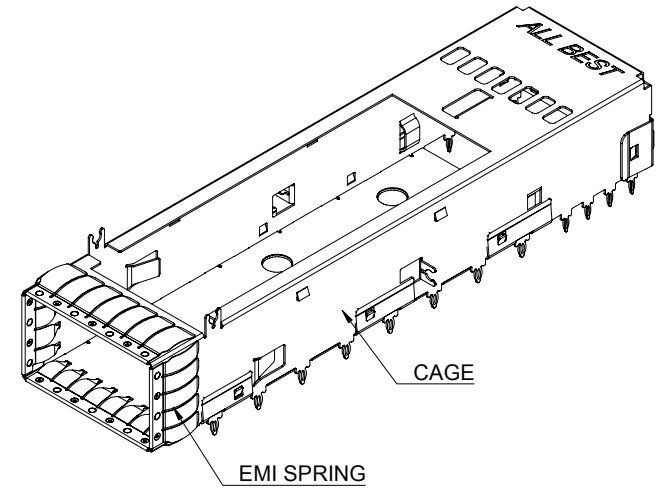
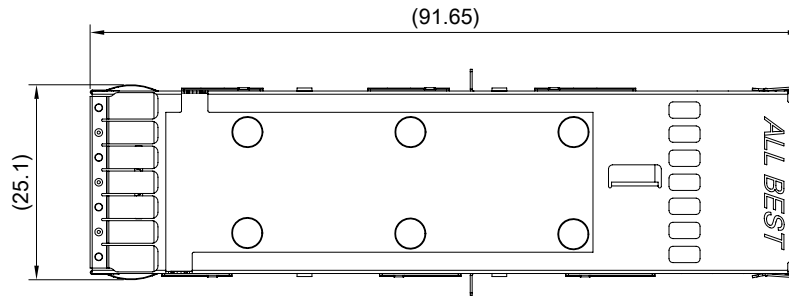


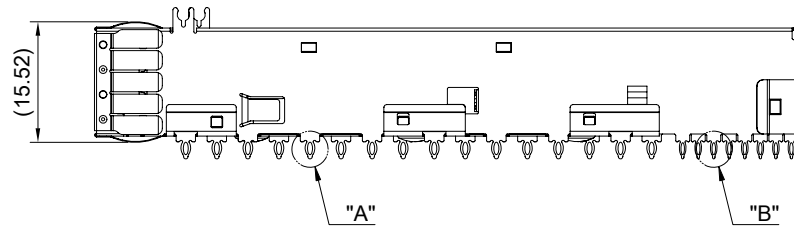
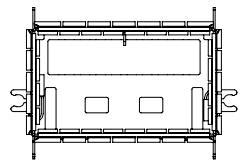
DETAIL A
SCALE 4:1



DETAIL B
SCALE 4:1



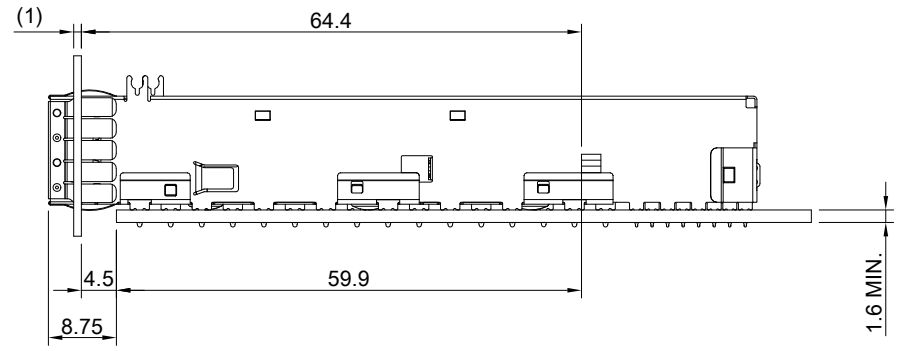
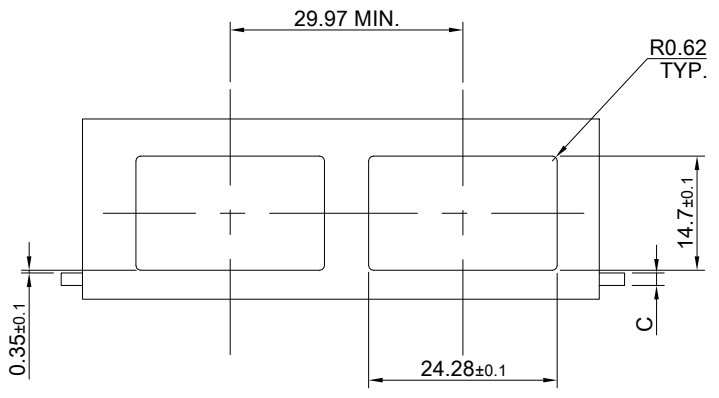
MATERIAL
CAGE: NICKEL SILVER
EMI SPRING: STAINLESS STEEL



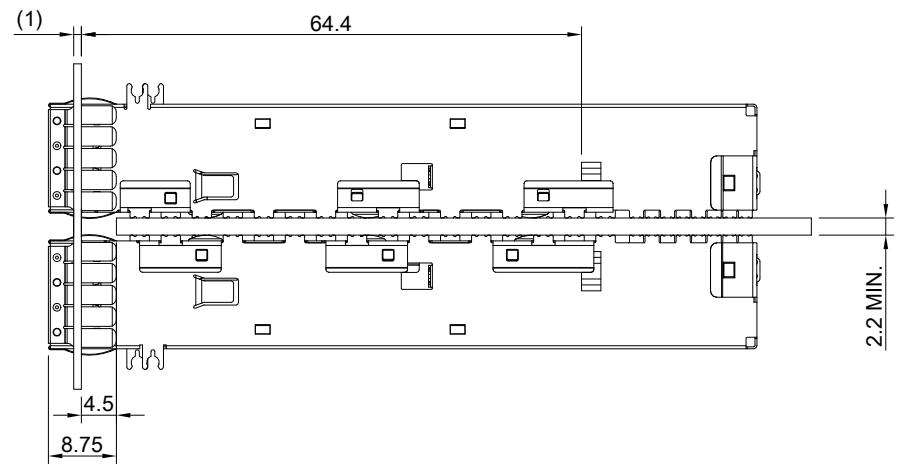
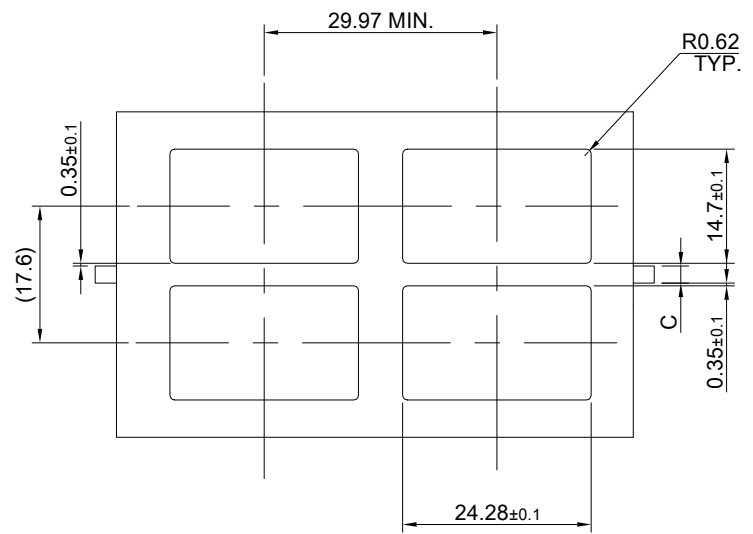
THIS PRINT IS
PRELIMINARY
UNQUALIFIED PRODUCT
CONTACT PRODUCT ENGINEERING
BEFORE USING THIS PRINT



TITLE: OSFP 800 1X1 Cage Assembly			
DWG#: H-OR-DOS1-4CMX8		SHEET: 1/4	REV. REF.
UNIT: mm	SCALE: A4 1:1	FINISH:	CHECKED:
TOLERANCE: Angle: ± 1° X.± 0.25 .X± 0.20 .XX± 0.15		MATERIAL: RoHS, HF Compliant	APPROVED:
THIRD ANGLE PROJECTION		DRAWN: Jason Zhao	DATE: 03/21/2024



SINGLE-SIDE CONFIGURATION



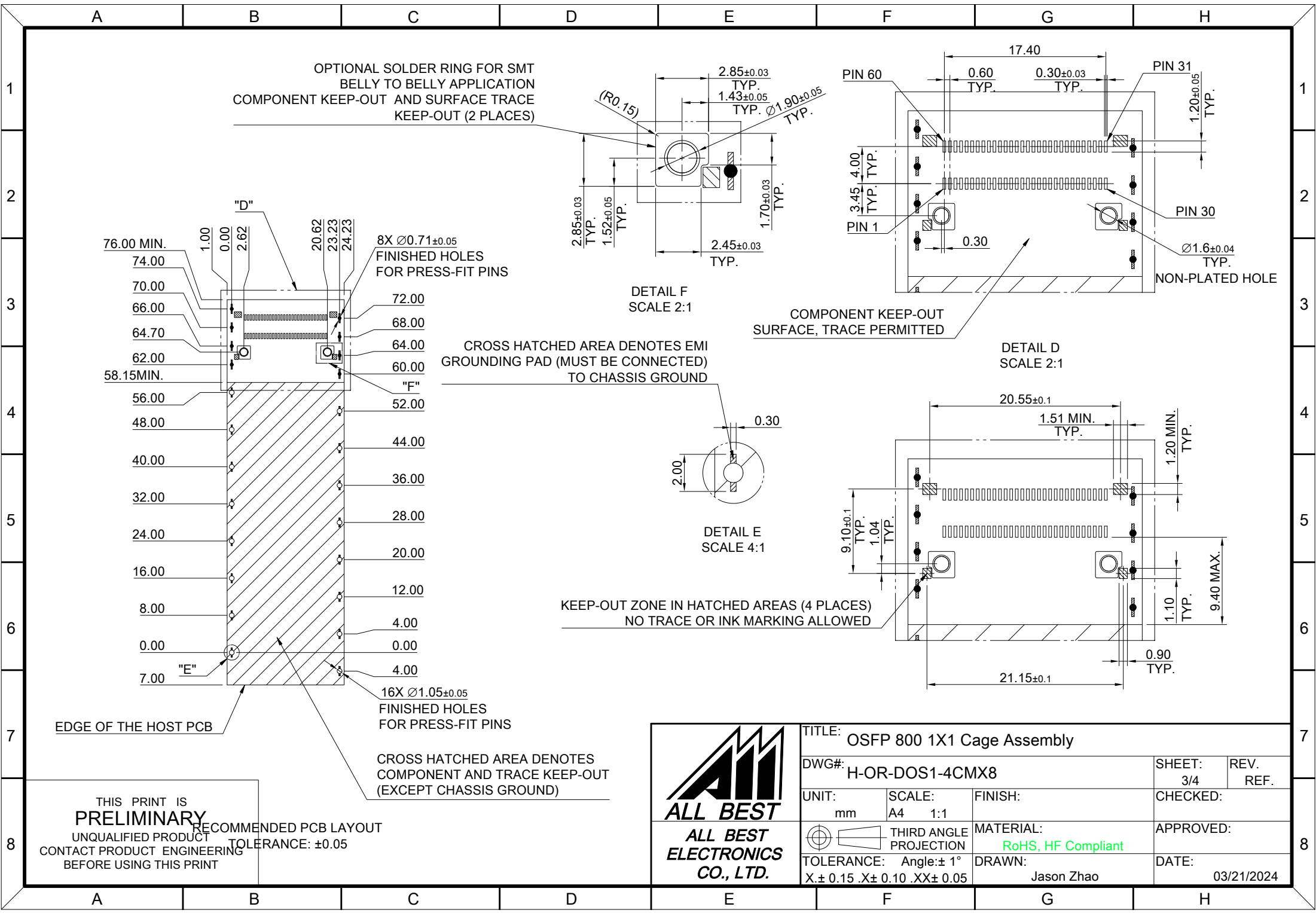
BELLY TO BELLY CONFIGURATION

C = THICKNESS OF PC BOARD
 SINGLE-SIDE = 1.6 MM (MIN.)
 BELLY TO BELLY = 2.2MM (MIN.)

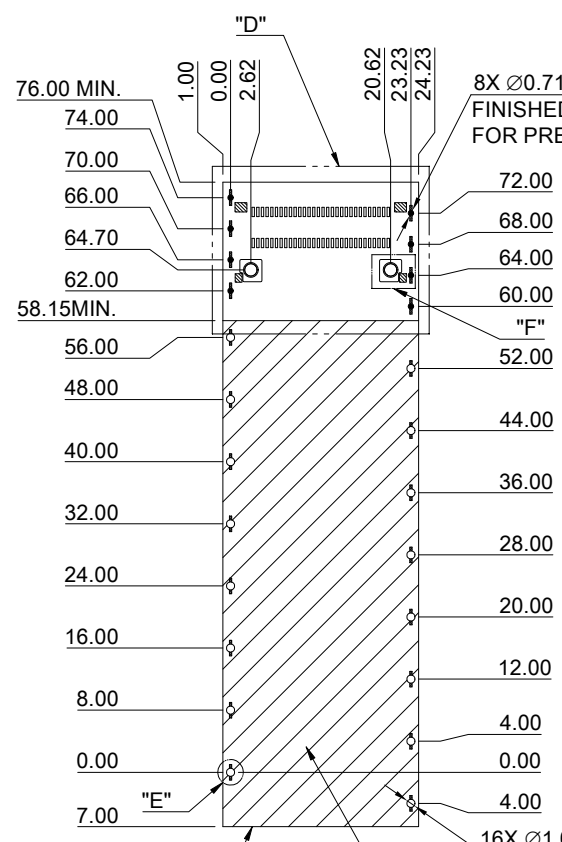
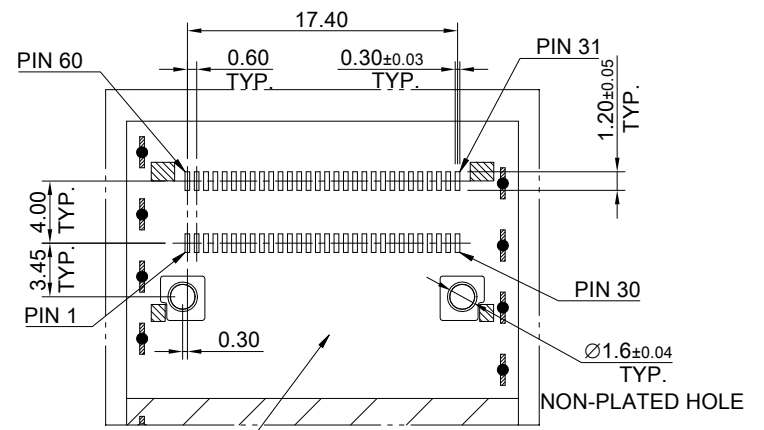
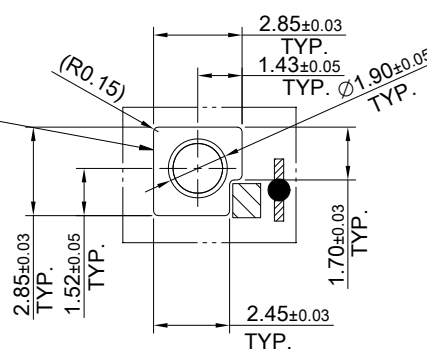
THIS PRINT IS
PRELIMINARY
 UNQUALIFIED PRODUCT
 CONTACT PRODUCT ENGINEERING
 BEFORE USING THIS PRINT



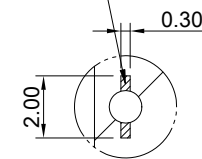
TITLE: OSFP 800 1X1 Cage Assembly		SHEET: 2/4	REV. REF.
DWG#: H-OR-DOS1-4CMX8		CHECKED:	
UNIT: mm	SCALE: A4 1:1	APPROVED:	
TOLERANCE: Angle: ± 1° X ± 0.15 .X ± 0.10 .XX ± 0.05		MATERIAL: RoHS, HF Compliant	DATE: 03/21/2024
THIRD ANGLE PROJECTION		DRAWN: Jason Zhao	



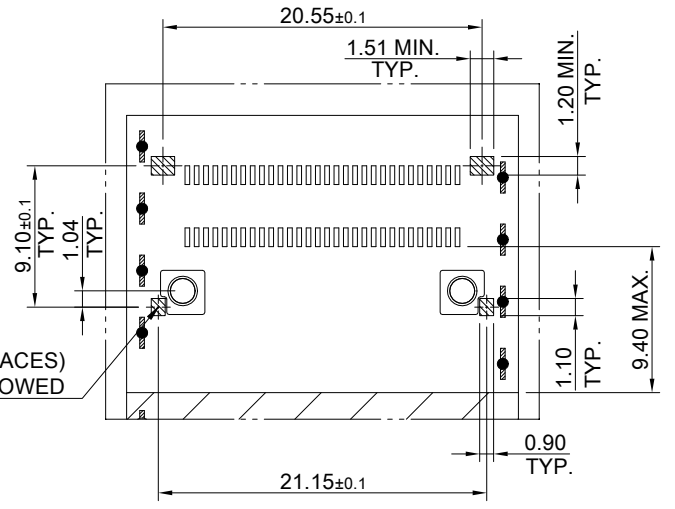
OPTIONAL SOLDER RING FOR SMT BELLY TO BELLY APPLICATION
 COMPONENT KEEP-OUT AND SURFACE TRACE KEEP-OUT (2 PLACES)



CROSS HATCHED AREA DENOTES EMI GROUNDING PAD (MUST BE CONNECTED) TO CHASSIS GROUND



KEEP-OUT ZONE IN HATCHED AREAS (4 PLACES)
 NO TRACE OR INK MARKING ALLOWED



EDGE OF THE HOST PCB

16X Ø1.05±0.05 FINISHED HOLES FOR PRESS-FIT PINS

CROSS HATCHED AREA DENOTES COMPONENT AND TRACE KEEP-OUT (EXCEPT CHASSIS GROUND)

THIS PRINT IS PRELIMINARY
 UNQUALIFIED PRODUCT CONTACT PRODUCT ENGINEERING BEFORE USING THIS PRINT
 RECOMMENDED PCB LAYOUT TOLERANCE: ±0.05

	TITLE: OSFP 800 1X1 Cage Assembly		SHEET: 3/4	REV. REF.
	DWG#: H-OR-DOS1-4CMX8		CHECKED:	APPROVED:
	UNIT: mm	SCALE: A4 1:1	MATERIAL: RoHS, HF Compliant	
	TOLERANCE: Angle: ±1° X ± 0.15 .X ± 0.10 .XX ± 0.05		DRAWN: Jason Zhao	DATE: 03/21/2024

