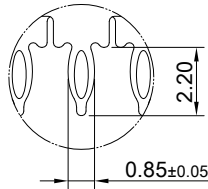
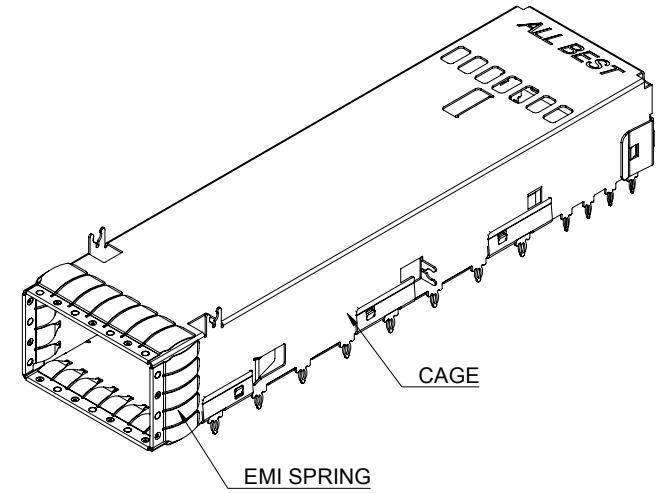
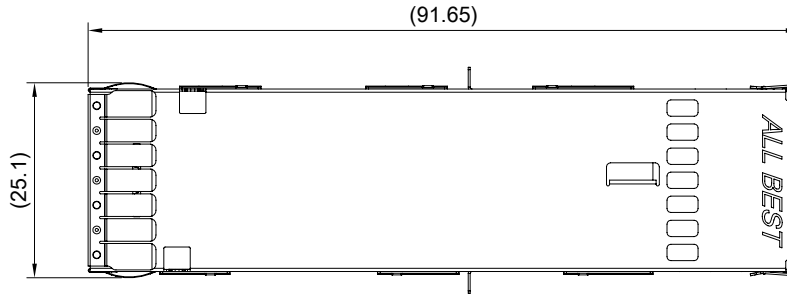


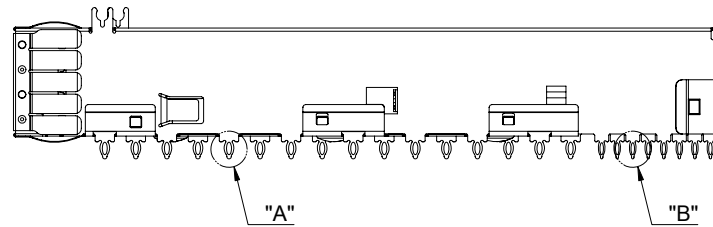
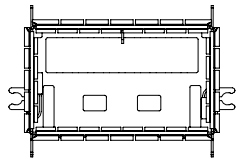
DETAIL A
SCALE 4:1



DETAIL B
SCALE 4:1



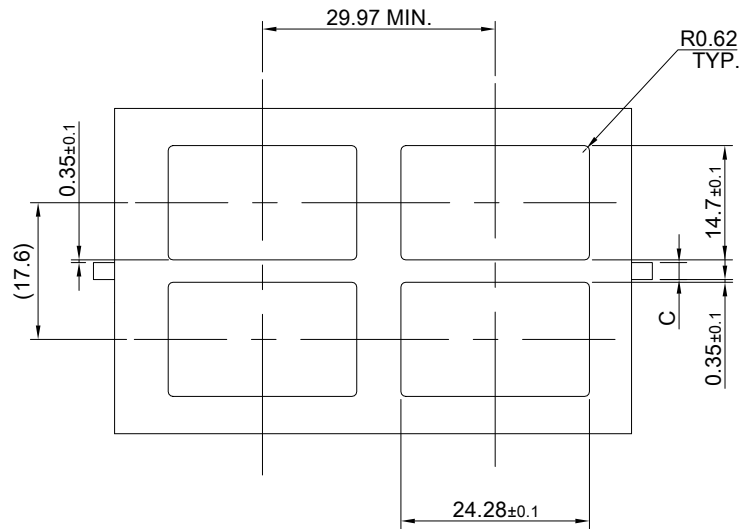
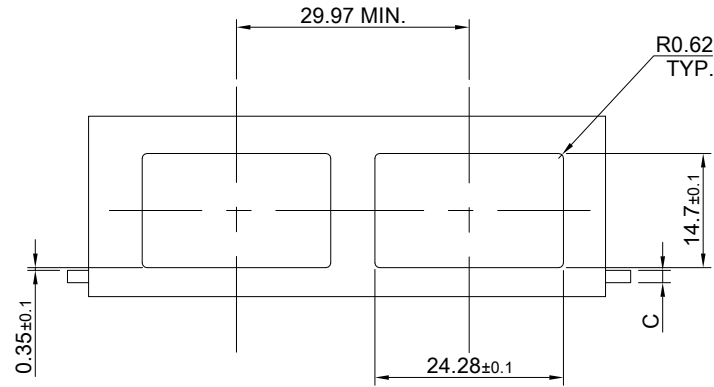
MATERIAL
CAGE: NICKEL SILVER
EMI SPRING: STAINLESS STEEL



THIS PRINT IS
PRELIMINARY
UNQUALIFIED PRODUCT
CONTACT PRODUCT ENGINEERING
BEFORE USING THIS PRINT

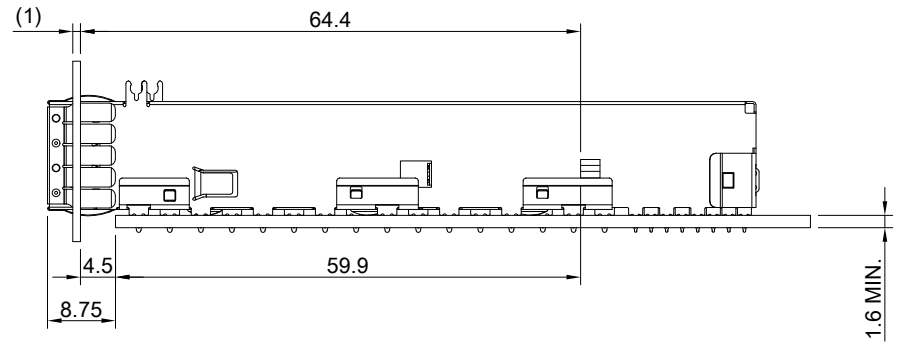


| | | | |
|---|---------------|------------------------------|------------------|
| TITLE: OSFP 800 1X1 Cage Assembly | | SHEET: 1/4 | REV. REF. |
| DWG#: H-OR-DOS1-4CMX7 | | CHECKED: | |
| UNIT: mm | SCALE: A4 1:1 | APPROVED: | |
| TOLERANCE: Angle: ± 1° X.± 0.25 .X± 0.20 .XX± 0.15 | | MATERIAL: RoHS, HF Compliant | DATE: 03/21/2024 |
| THIRD ANGLE PROJECTION | | DRAWN: Jason Zhao | |

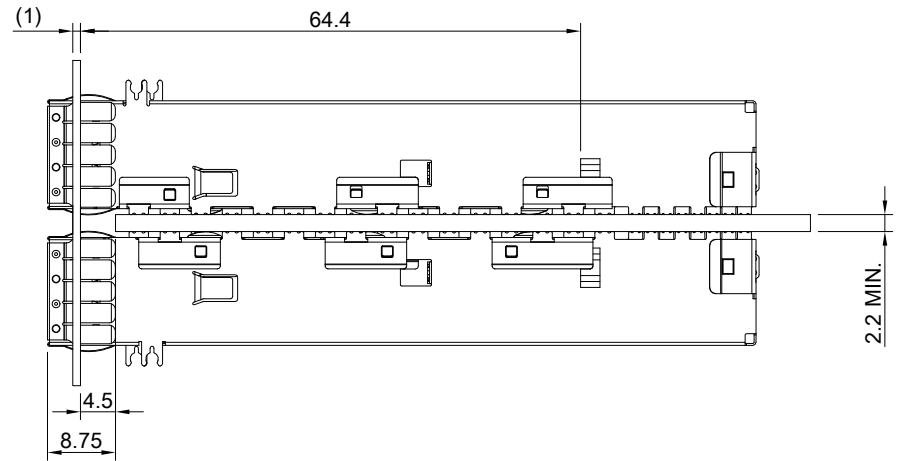


C = THICKNESS OF PC BOARD
 SINGLE-SIDE = 1.6 MM (MIN.)
 BELLY TO BELLY = 2.2MM (MIN.)


THIS PRINT IS
PRELIMINARY
 UNQUALIFIED PRODUCT
 CONTACT PRODUCT ENGINEERING
 BEFORE USING THIS PRINT

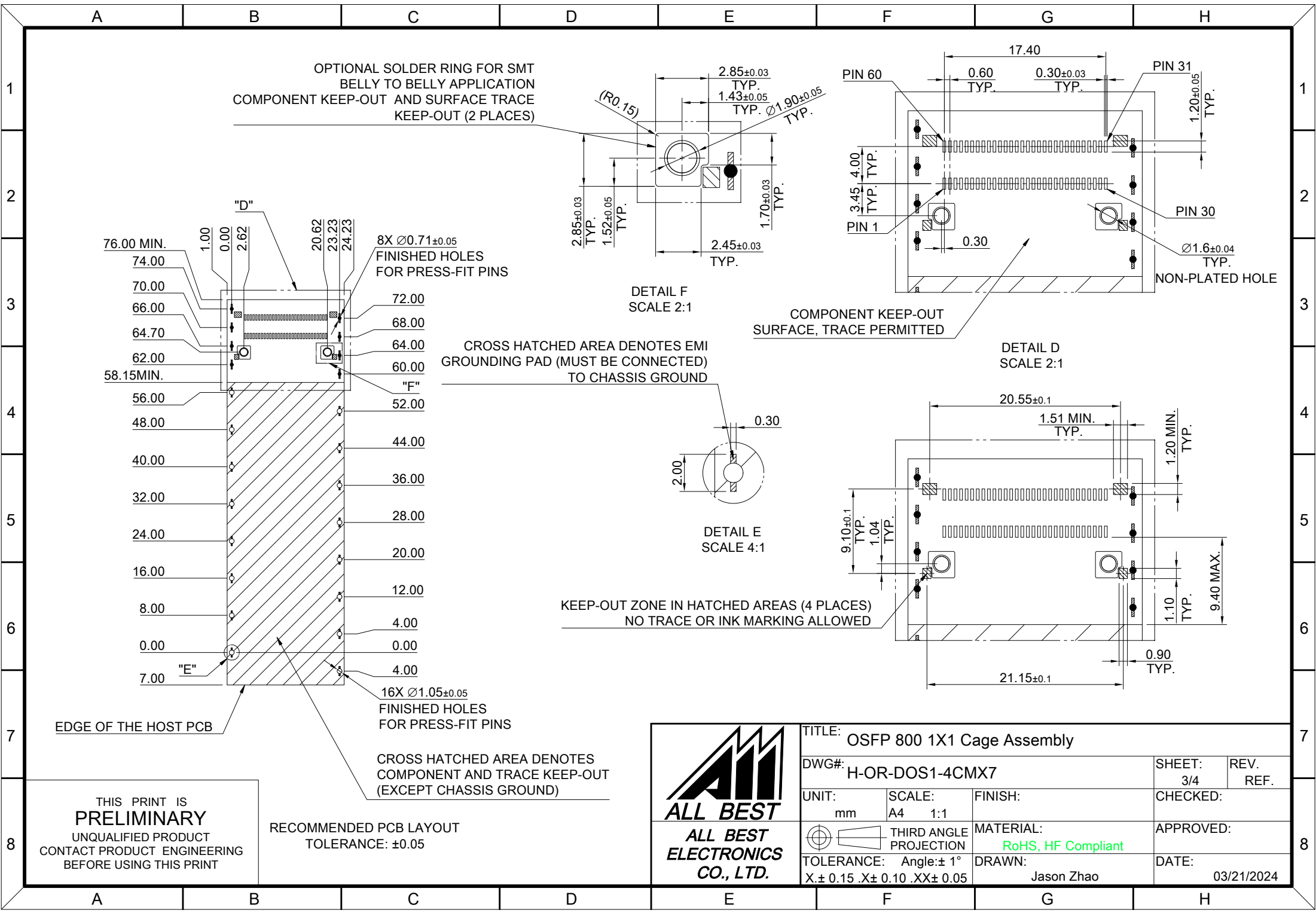


SINGLE-SIDE CONFIGURATION

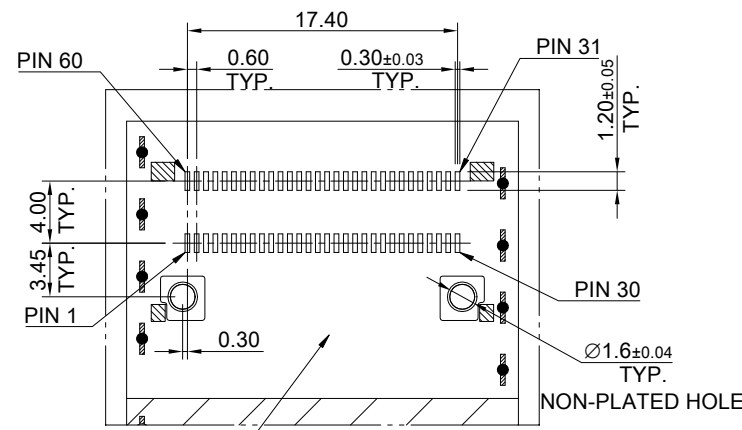
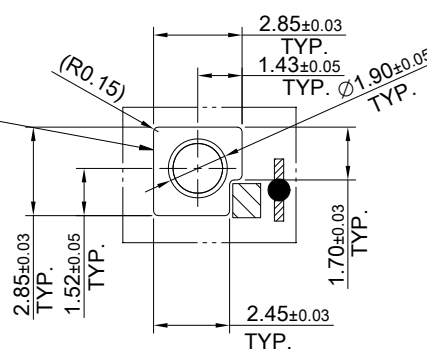


BELLY TO BELLY CONFIGURATION

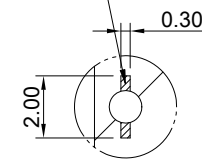
| | | | | | |
|--|--|-------------------|------------------------------|------------------|--|
|  ALL BEST ELECTRONICS CO., LTD. | TITLE: OSFP 800 1X1 Cage Assembly | | SHEET: 2/4 | REV. REF. | |
| | DWG#: H-OR-DOS1-4CMX7 | | CHECKED: | | |
| | UNIT: mm | SCALE: A4 1:1 | FINISH: | APPROVED: | |
| | TOLERANCE: X ± 0.15 .X ± 0.10 .XX ± 0.05 | | MATERIAL: RoHS, HF Compliant | DATE: 03/21/2024 | |
| THIRD ANGLE PROJECTION | | DRAWN: Jason Zhao | | | |



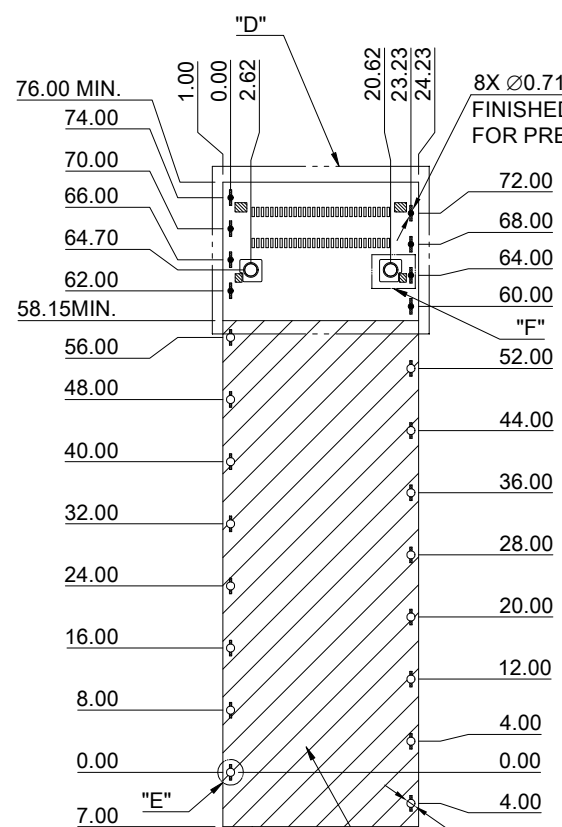
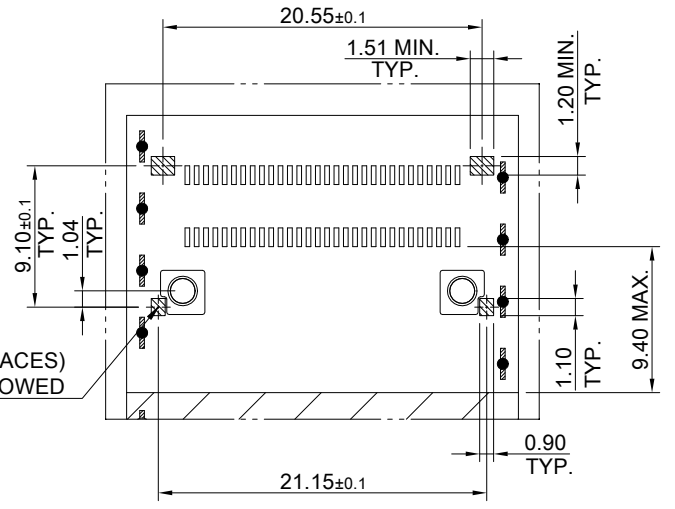
OPTIONAL SOLDER RING FOR SMT BELLY TO BELLY APPLICATION COMPONENT KEEP-OUT AND SURFACE TRACE KEEP-OUT (2 PLACES)



CROSS HATCHED AREA DENOTES EMI GROUNDING PAD (MUST BE CONNECTED) TO CHASSIS GROUND



KEEP-OUT ZONE IN HATCHED AREAS (4 PLACES) NO TRACE OR INK MARKING ALLOWED



8X Ø0.71±0.05 FINISHED HOLES FOR PRESS-FIT PINS

16X Ø1.05±0.05 FINISHED HOLES FOR PRESS-FIT PINS

CROSS HATCHED AREA DENOTES COMPONENT AND TRACE KEEP-OUT (EXCEPT CHASSIS GROUND)

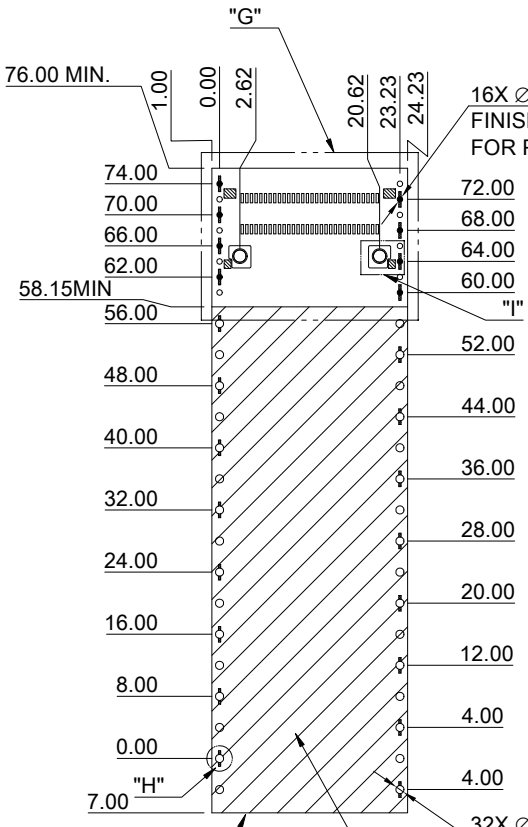
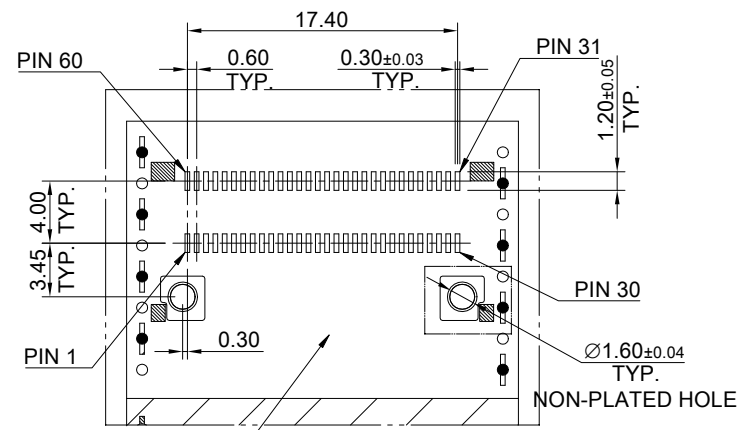
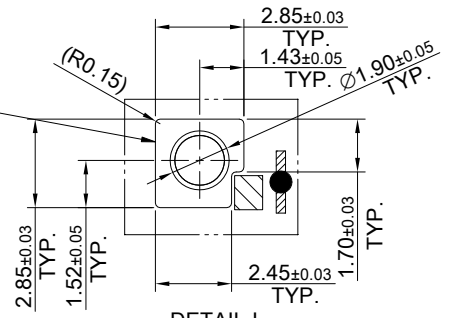
THIS PRINT IS PRELIMINARY UNQUALIFIED PRODUCT CONTACT PRODUCT ENGINEERING BEFORE USING THIS PRINT

RECOMMENDED PCB LAYOUT TOLERANCE: ±0.05

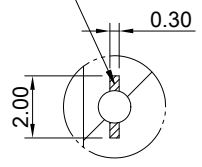


| | | | |
|-----------------------------------|---------------|------------------------------|-----------|
| TITLE: OSFP 800 1X1 Cage Assembly | | | |
| DWG#: H-OR-DOS1-4CMX7 | | SHEET: 3/4 | REV. REF. |
| UNIT: mm | SCALE: A4 1:1 | CHECKED: | |
| THIRD ANGLE PROJECTION | | APPROVED: | |
| TOLERANCE: Angle: ±1° | | DATE: 03/21/2024 | |
| X.± 0.15 .X± 0.10 .XX± 0.05 | | DRAWN: Jason Zhao | |
| | | MATERIAL: RoHS, HF Compliant | |

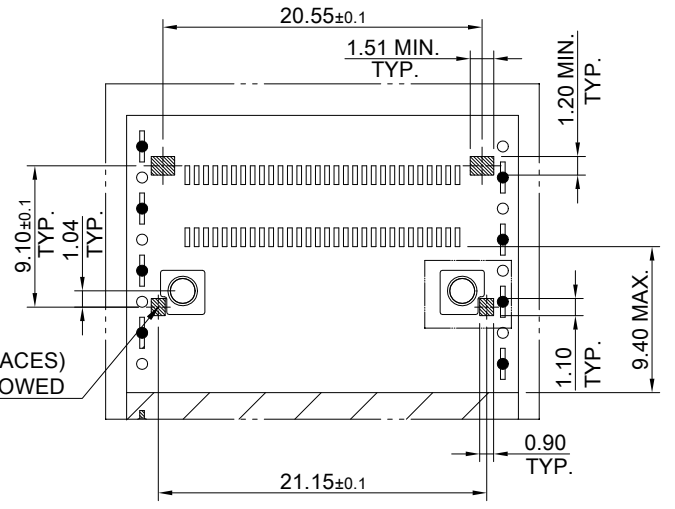
OPTIONAL SOLDER RING FOR SMT BELLY TO BELLY APPLICATION
COMPONENT KEEP-OUT AND SURFACE TRACE KEEP-OUT (2 PLACES)



CROSS HATCHED AREA DENOTES EMI GROUNDING PAD (MUST BE CONNECTED TO CHASSIS GROUND)



KEEP-OUT ZONE IN HATCHED AREAS (4 PLACES)
NO TRACE OR INK MARKING ALLOWED



EDGE OF THE HOST PCB

32X Ø1.05±0.05 FINISHED HOLES FOR PRESS-FIT PINS

CROSS HATCHED AREA DENOTES COMPONENT AND TRACE KEEP-OUT (EXCEPT CHASSIS GROUND)

RECOMMENDED PCB LAYOUT TOLERANCE: ±0.05

THIS PRINT IS PRELIMINARY
UNQUALIFIED PRODUCT CONTACT PRODUCT ENGINEERING BEFORE USING THIS PRINT



| | | | |
|------------------------------------|---------------|------------------------------|------------------|
| TITLE: OSFP 800 1X1 Cage Assembly | | SHEET: 4/4 | REV. REF. |
| DWG#: H-OR-DOS1-4CMX7 | | CHECKED: | APPROVED: |
| UNIT: mm | SCALE: A4 1:1 | MATERIAL: RoHS, HF Compliant | |
| TOLERANCE: X±0.15 .X±0.10 .XX±0.05 | | DRAWN: Jason Zhao | DATE: 03/21/2024 |