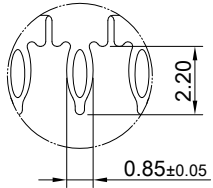
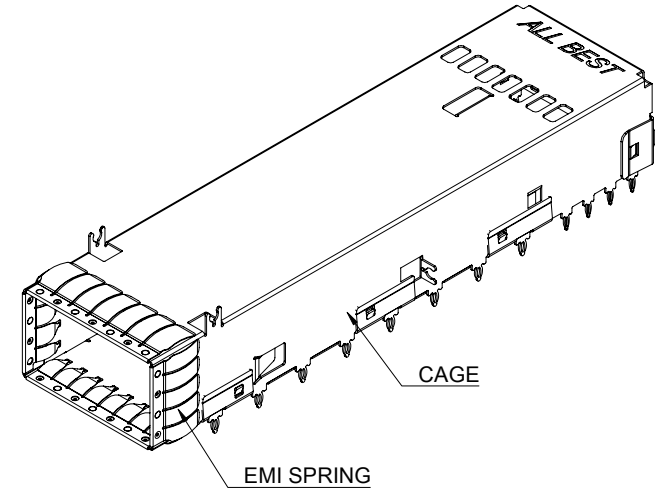
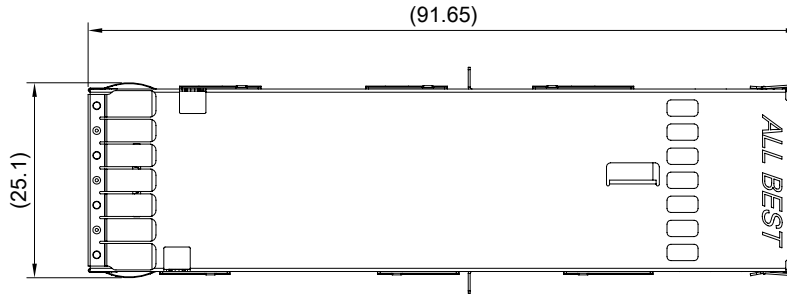


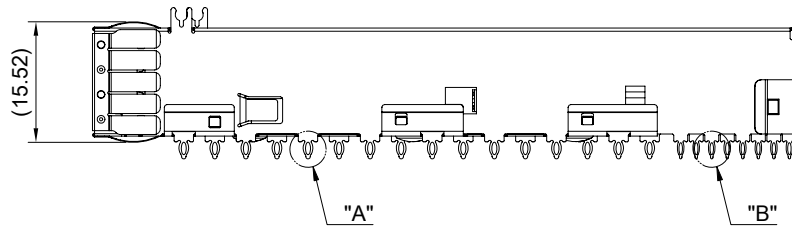
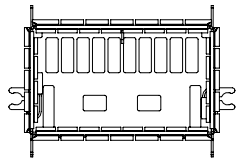
DETAIL A
SCALE 4:1



DETAIL B
SCALE 4:1



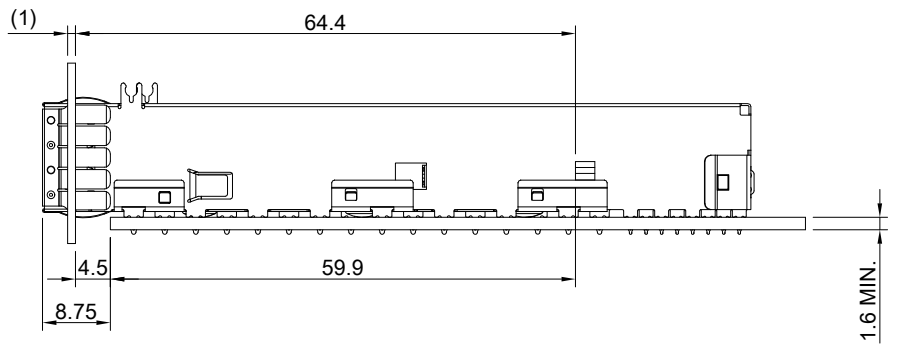
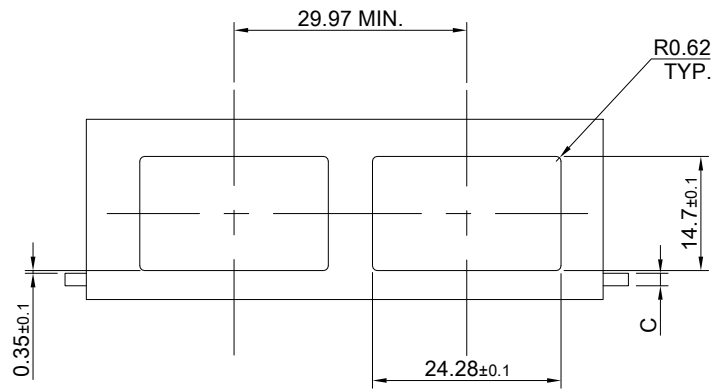
MATERIAL
CAGE: NICKEL SILVER
EMI SPRING: STAINLESS STEEL



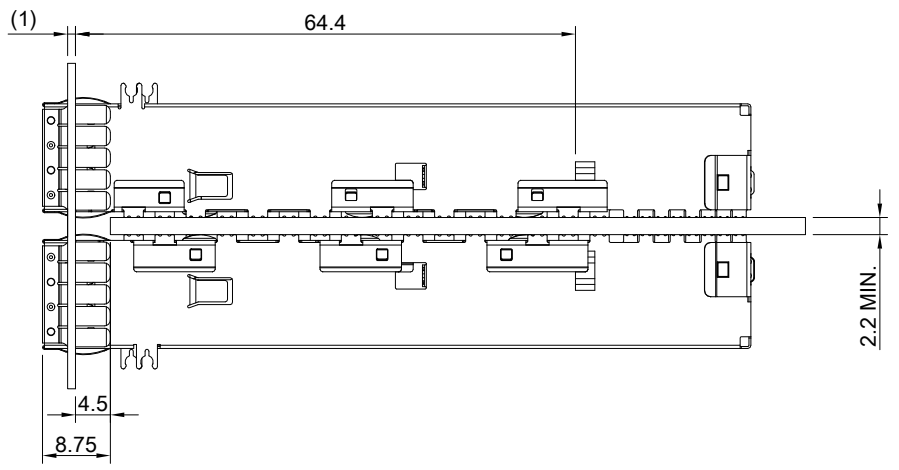
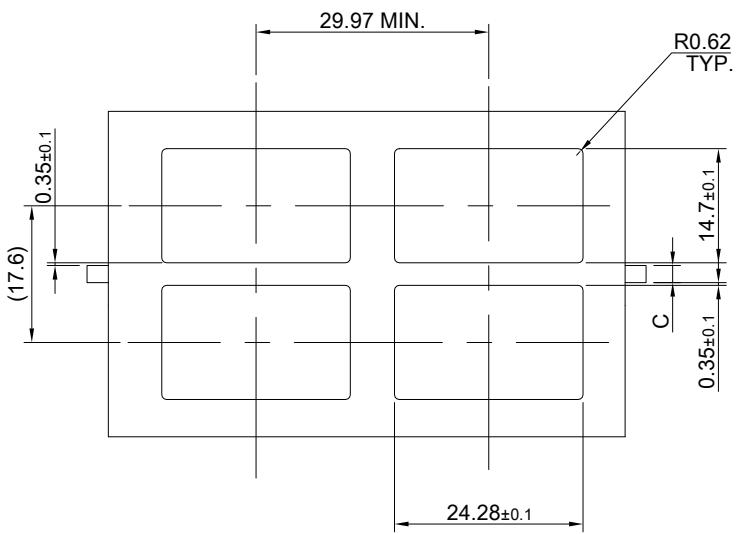
THIS PRINT IS
PRELIMINARY
UNQUALIFIED PRODUCT
CONTACT PRODUCT ENGINEERING
BEFORE USING THIS PRINT



TITLE: OSFP 800 1X1 Cage Assembly			
DWG#: H-OR-DOS1-4CMX3		SHEET: 1/4	REV. REF.
UNIT: mm	SCALE: A4 1:1	FINISH:	CHECKED:
TOLERANCE: Angle: ± 1° X.± 0.25 .X± 0.20 .XX± 0.15		MATERIAL: RoHS, HF Compliant	APPROVED:
THIRD ANGLE PROJECTION		DRAWN: Jason Zhao	DATE: 03/21/2024



SINGLE-SIDE CONFIGURATION



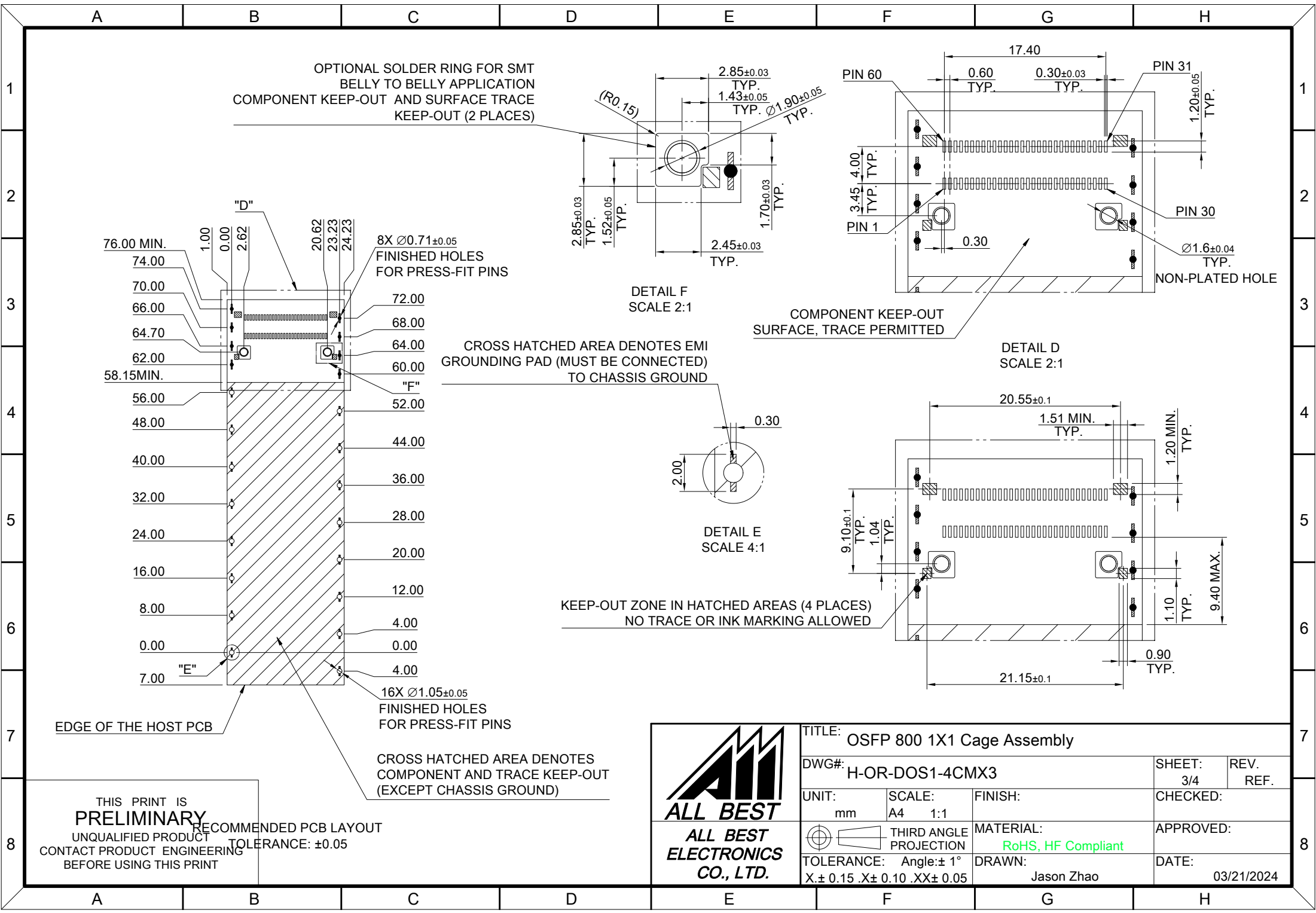
BELLY TO BELLY CONFIGURATION

C = THICKNESS OF PC BOARD
 SINGLE-SIDE = 1.6 MM (MIN.)
 BELLY TO BELLY = 2.2MM (MIN.)

THIS PRINT IS
PRELIMINARY
 UNQUALIFIED PRODUCT
 CONTACT PRODUCT ENGINEERING
 BEFORE USING THIS PRINT



TITLE: OSFP 800 1X1 Cage Assembly			
DWG#: H-OR-DOS1-4CMX3		SHEET: 2/4	REV. REF.
UNIT: mm	SCALE: A4 1:1	FINISH:	CHECKED:
THIRD ANGLE PROJECTION		MATERIAL: RoHS, HF Compliant	APPROVED:
TOLERANCE: Angle: ± 1° X.± 0.15 .X± 0.10 .XX± 0.05		DRAWN: Jason Zhao	DATE: 03/21/2024



OPTIONAL SOLDER RING FOR SMT
BELLY TO BELLY APPLICATION
COMPONENT KEEP-OUT AND SURFACE TRACE
KEEP-OUT (2 PLACES)

DETAIL F
SCALE 2:1

DETAIL D
SCALE 2:1

DETAIL E
SCALE 4:1

CROSS HATCHED AREA DENOTES EMI
GROUNDING PAD (MUST BE CONNECTED)
TO CHASSIS GROUND

KEEP-OUT ZONE IN HATCHED AREAS (4 PLACES)
NO TRACE OR INK MARKING ALLOWED



TITLE: OSFP 800 1X1 Cage Assembly			
DWG#: H-OR-DOS1-4CMX3		SHEET: 3/4	REV. REF.
UNIT: mm	SCALE: A4 1:1	CHECKED:	
THIRD ANGLE PROJECTION		APPROVED:	
TOLERANCE: Angle: ± 1°		MATERIAL: RoHS, HF Compliant	DATE: 03/21/2024
X.± 0.15 .X± 0.10 .XX± 0.05		DRAWN: Jason Zhao	

THIS PRINT IS
PRELIMINARY
UNQUALIFIED PRODUCT
CONTACT PRODUCT ENGINEERING
BEFORE USING THIS PRINT

RECOMMENDED PCB LAYOUT
TOLERANCE: ±0.05

EDGE OF THE HOST PCB

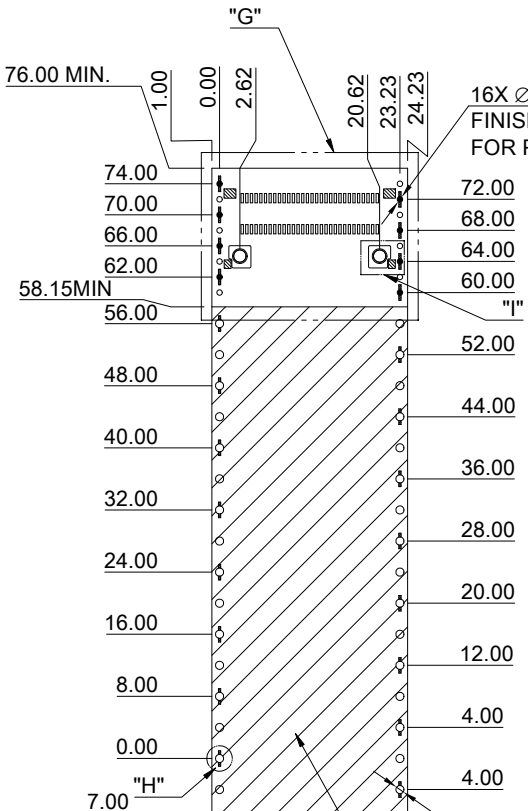
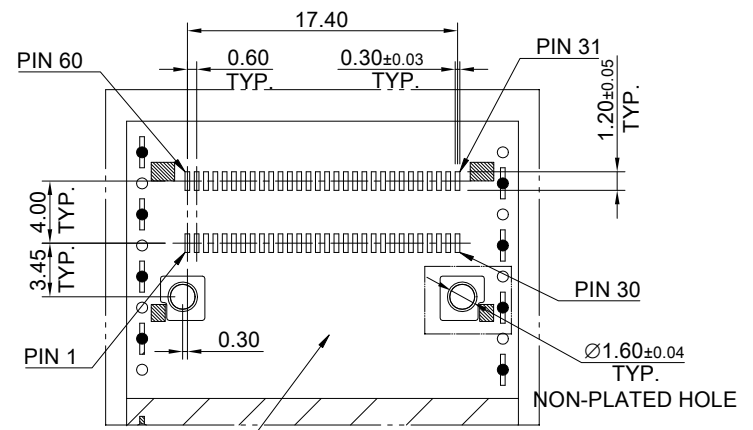
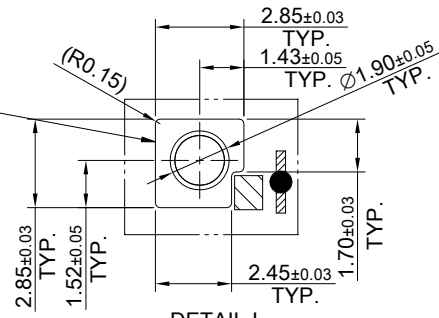
CROSS HATCHED AREA DENOTES
COMPONENT AND TRACE KEEP-OUT
(EXCEPT CHASSIS GROUND)

8X Ø0.71±0.05
FINISHED HOLES
FOR PRESS-FIT PINS

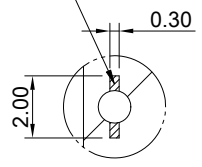
16X Ø1.05±0.05
FINISHED HOLES
FOR PRESS-FIT PINS

COMPONENT KEEP-OUT
SURFACE, TRACE PERMITTED

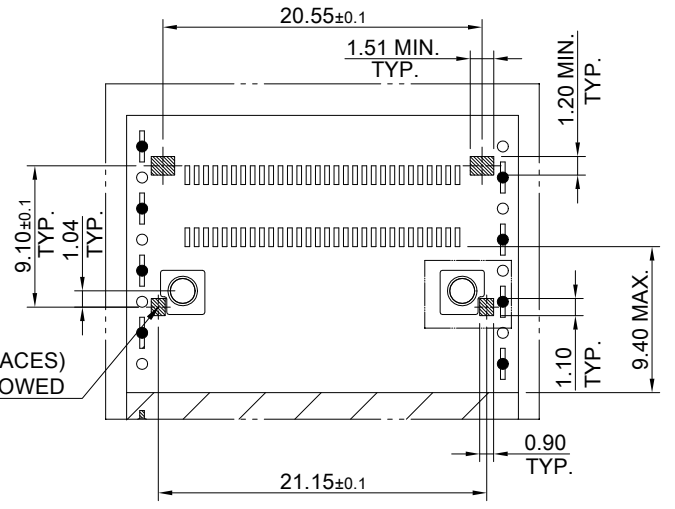
OPTIONAL SOLDER RING FOR SMT BELLY TO BELLY APPLICATION
COMPONENT KEEP-OUT AND SURFACE TRACE KEEP-OUT (2 PLACES)



CROSS HATCHED AREA DENOTES EMI GROUNDING PAD (MUST BE CONNECTED TO CHASSIS GROUND)



KEEP-OUT ZONE IN HATCHED AREAS (4 PLACES)
NO TRACE OR INK MARKING ALLOWED



EDGE OF THE HOST PCB

32X $\varnothing 1.05 \pm 0.05$ FINISHED HOLES FOR PRESS-FIT PINS

CROSS HATCHED AREA DENOTES COMPONENT AND TRACE KEEP-OUT (EXCEPT CHASSIS GROUND)

RECOMMENDED PCB LAYOUT TOLERANCE: ± 0.05

THIS PRINT IS PRELIMINARY
UNQUALIFIED PRODUCT CONTACT PRODUCT ENGINEERING BEFORE USING THIS PRINT



TITLE: OSFP 800 1X1 Cage Assembly			
DWG#: H-OR-DOS1-4CMX3		SHEET: 4/4	REV. REF.
UNIT: mm	SCALE: A4 1:1	CHECKED:	
THIRD ANGLE PROJECTION		APPROVED:	
TOLERANCE: Angle: $\pm 1^\circ$		MATERIAL: RoHS, HF Compliant	DATE: 03/21/2024
X. ± 0.15 .X ± 0.10 .XX ± 0.05		DRAWN: Jason Zhao	