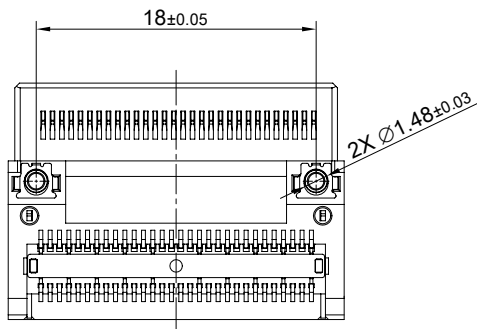
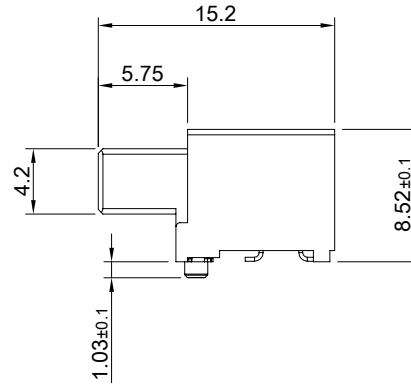
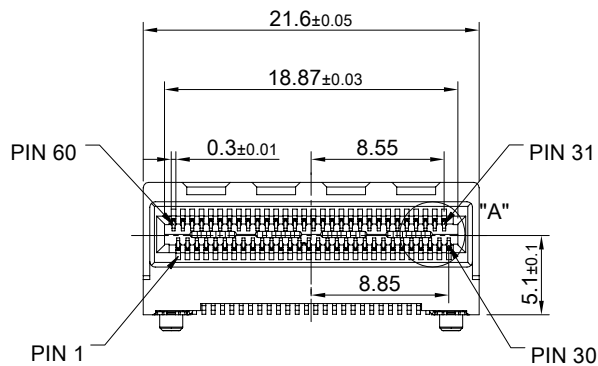


DETAIL A
SCALE 4:1



MATERIALS
 CONTACTS: COPPER ALLOY
 HOUSING: LCP THERMOPLASTIC 94V-0 (BLACK)

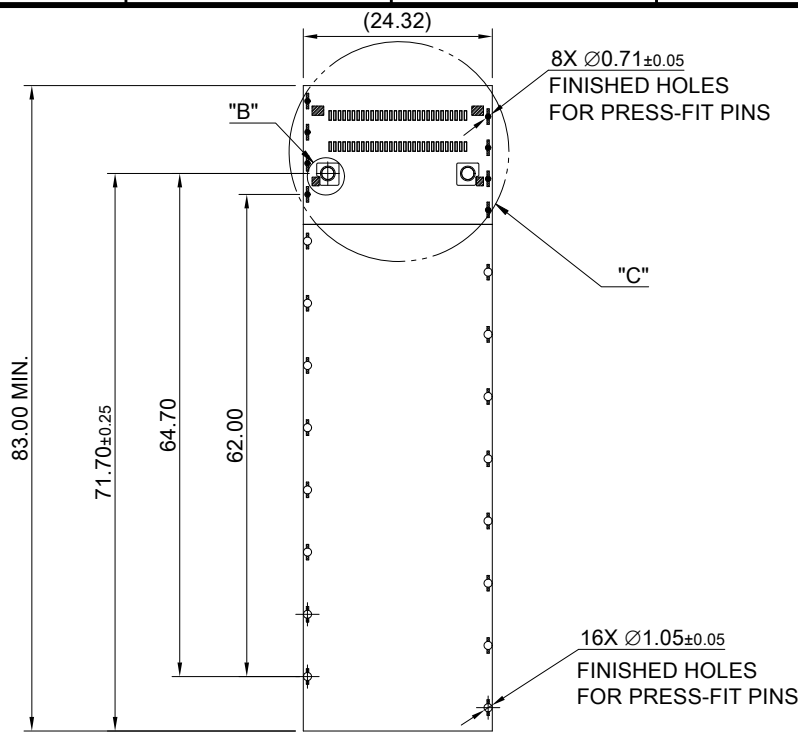
ELECTRICAL CHARACTERISTICS
 CONTACT CURRENT RATING: 0.5 AMPERE
 DIELECTRIC WITHSTANDING VOLTAGE: 300 VAC
 VOLTAGE RATING: 30 VDC
 CONTACT RESISTANCE: 35 mΩ MAX.

FINISHES
 CONTACTS: 15μ" MIN. GOLD ON MATING END;
 MATTE TIN ON TERMINATION END;
 ALL UNDERPLATED NICKEL

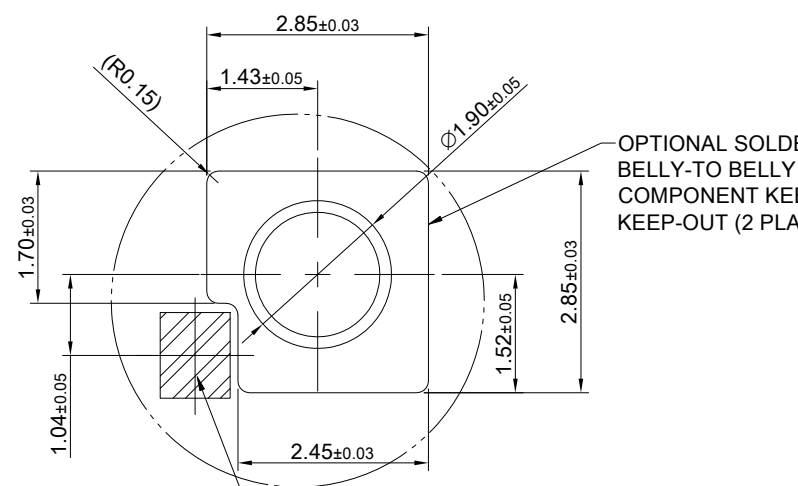
ENVIRONMENT
 OPERATION TEMPERATURE: -55°C TO +85°C
 SMT TEMPERATURE: 260°C



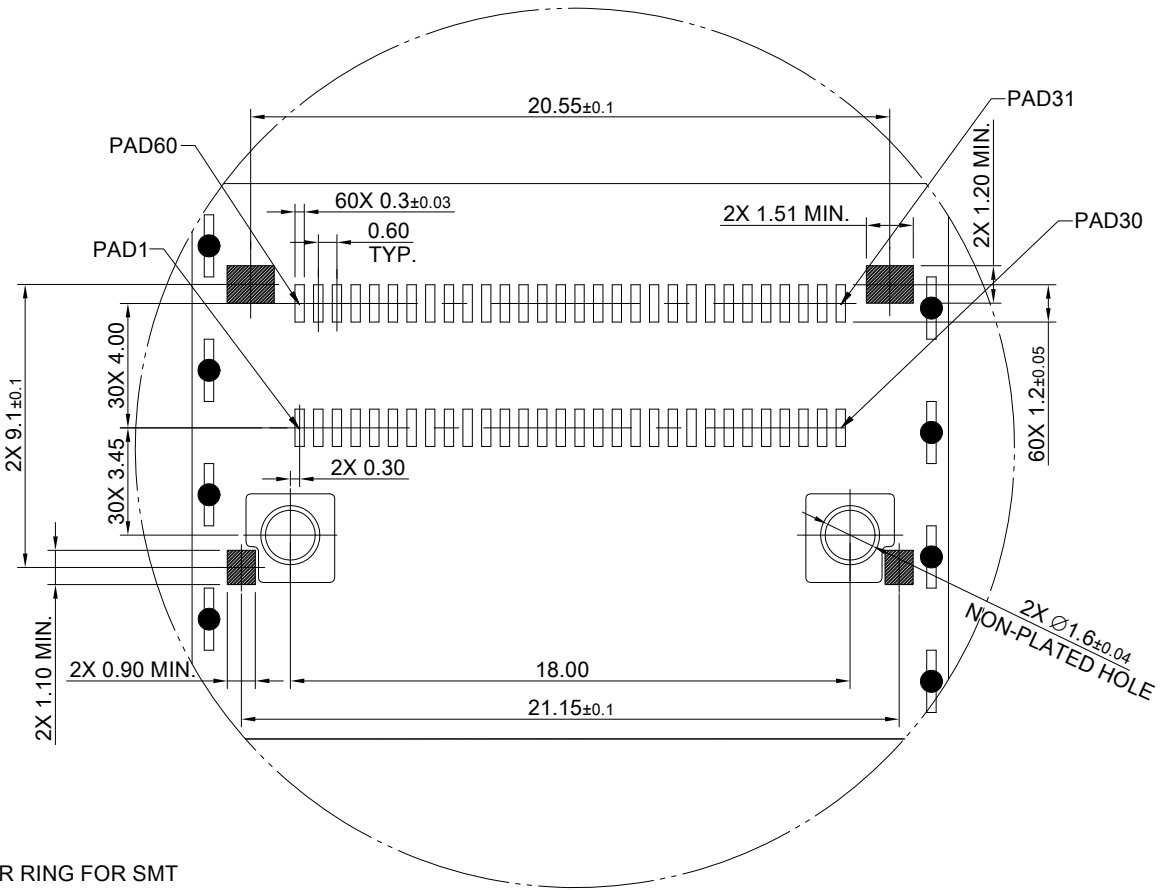
TITLE: OSFP 60Pin SMT Connector		SHEET: 1/2	REV. A
DWG#: R-CT-OS8-9CXX		CHECKED: Gary Kang	
UNIT: mm	SCALE: A4 2:1	APPROVED: George Yang	
THIRD ANGLE PROJECTION		DATE: 06/08/2020	
TOLERANCE: Angle: ± 1° X.± 0.25 .XX± 0.15		DRAWN: Sheng	



RECOMMENDED PCB LAYOUT
TOLERANCE: ±0.05



KEEP-OUT ZONE IN HATCHED AREAS (4 PLACES)
NO TRACE OR INK MARKING ALLOWED
DETAIL B
SCALE 10:1



DETAIL C
SCALE 4:1

	TITLE: OSFP 60Pin SMT Connector			SHEET: 2/2	REV. A
	DWG#: R-CT-OS8-9CXX			CHECKED: Gary Kang	
	UNIT: mm	SCALE: A4 1:1	FINISH:	APPROVED: George Yang	
	TOLERANCE: Angle: ± 1° X: ± 0.15 .X: ± 0.10 .XX: ± 0.05			MATERIAL: RoHS Compliant	DATE: 06/08/2020
			DRAWN: Sheng		